



Product Name Square outdoor pillar lights

Style Modern

Specification Hardwired,Solar



This outdoor post light features a die-cast aluminum housing, ensuring a sturdy structure and excellent heat dissipation.

It is available in four square sizes to suit fences and posts of varying heights.

Both solar and hardwired power options are provided. Built with a large-capacity battery, it charges intelligently during the day and turns on automatically at night.

Equipped with a standard E27 lamp holder and a 3000K warm white LED bulb, it delivers a warm and even lighting effect.



## · Basic Product Information

---



Product Model

HA080597

Product Type

Pillar Lights

Power Type

Hardwired,Solar

Product Color

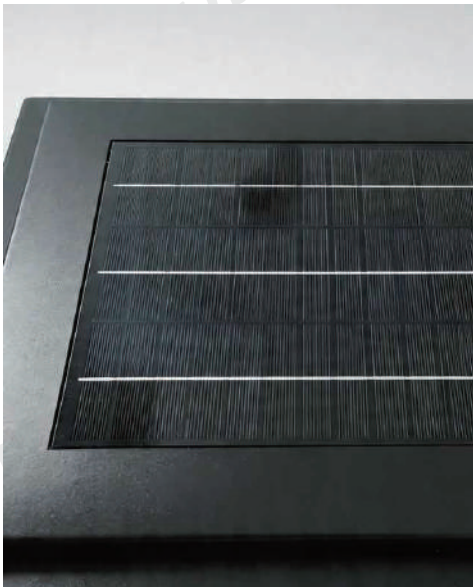
Black

## · Product Details

---

Material

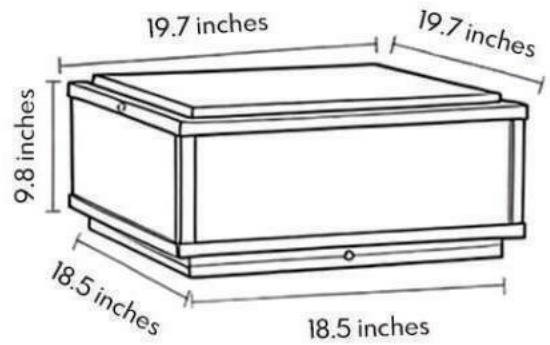
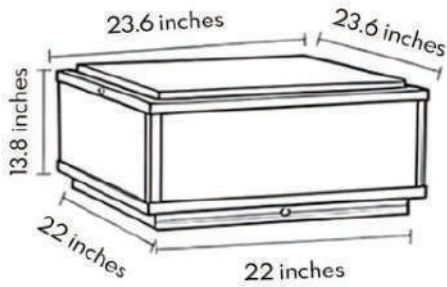
Die-casting Aluminum



• Core Specifications

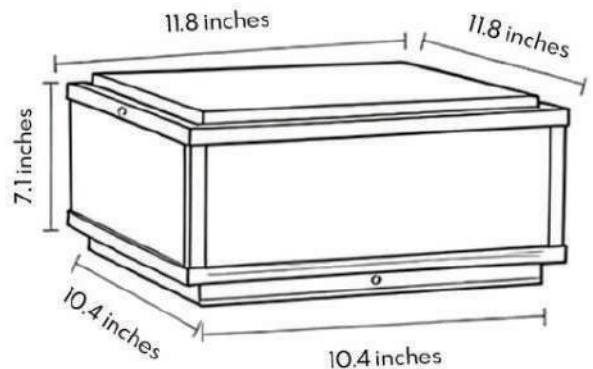
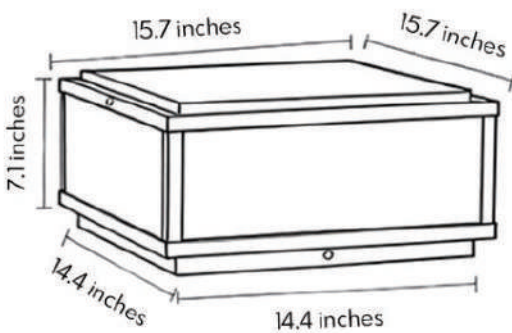
Width 23.6 inches  
 Depth 23.6 inches  
 Height 13.8 inches

Width 19.7 inches  
 Depth 19.7 inches  
 Height 9.8 inches



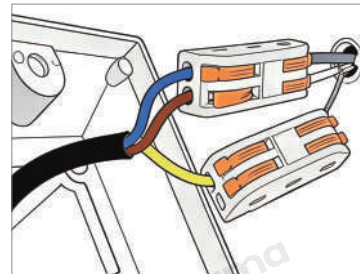
Width 15.7 inches  
 Depth 15.7 inches  
 Height 7.1 inches

Width 11.8 inches  
 Depth 11.8 inches  
 Height 7.1 inches



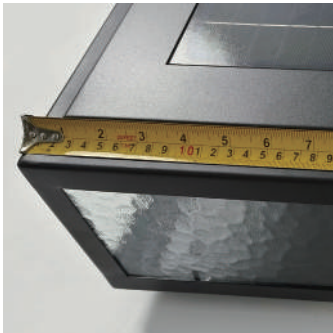


Voltage	AC110V、DC3.7V
Light Source Type	LED E27 Bulb, LED Board
Light Source Included	Yes
Color Temperature	3000K
Dimmable	No
CRI	90
IP Rating	IP54
Hardwired	



Blue: Neutral wire  
 Brown: Live wire  
 Yellow: Ground wire

### · Core Performance Indicators



Installation Method

Post Top Mounted-Fix the lamp base on top of the post/pillar with screws, wire then install the lampshade.

Application Scenarios

Outdoor

Certifications

CE, ROHS, WEEE, CEC, DLC, IES

Color Temperature Adjustment

Warm White (3000K)

Product Accessories

Lamp body ×1, lampshade ×1, screw pack ×1



[www.dazuma.us](http://www.dazuma.us)

+1 978-678-4855 (US Support)

[hello@dazuma.us](mailto:hello@dazuma.us)

Customer Service: Mon-Fri, 9am-6pm EST.

Online Service Team: 120 East Hollis Street, Nashua, NH 03060