



Product Name Square Outdoor Pillar Lights

Style Modern

Specification 7.9"/11.8"/15.7"/19.7"



This square outdoor post light adopts a stainless steel body with a tempered glass lampshade.

The striped decorative surface of the shade presents an exquisite modern industrial style.

Available in four sizes and two power modes: solar and hardwired. It has a built-in 3000K warm white LED light source.

IP65 fully waterproof structure ensures long-lasting outdoor performance.



## · Basic Product Information



Product Model

HA082503

Product Type

Pillar Lights

Power Type

Hardwired,Solar

Product Color

Black

## · Product Details

Material

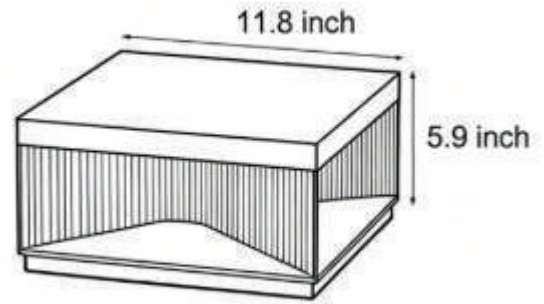
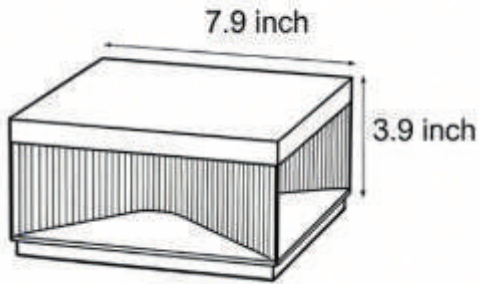
Tempered Glass



· **Core Specifications**

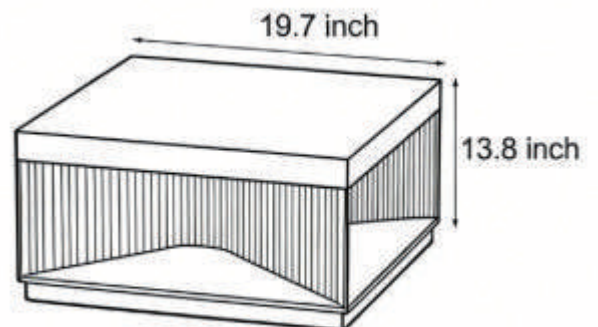
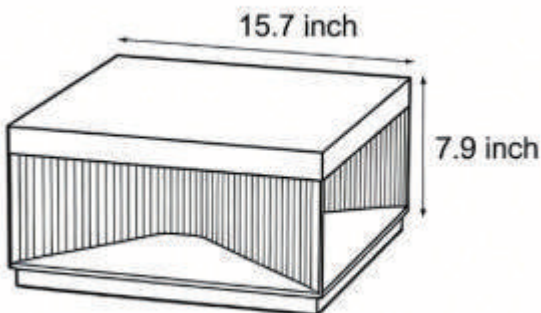
Width 7.9 inches  
 Depth 7.9 inches  
 Height 3.9 inches

Width 11.8 inches  
 Depth 11.8 inches  
 Height 5.9 inches



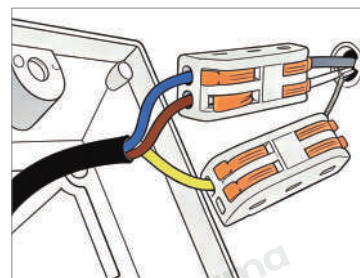
Width 15.7 inches  
 Depth 15.7 inches  
 Height 7.9 inches

Width 19.7 inches  
 Depth 19.7 inches  
 Height 13.8 inches



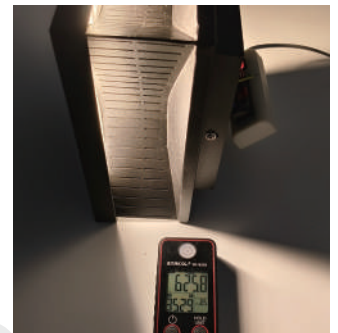
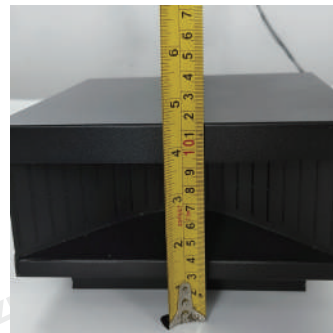
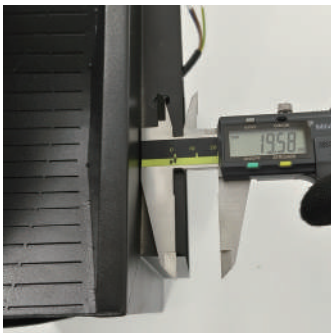


Voltage	AC110V
Light Source Type	LED light strip
Light Source Included	Yes
Color Temperature	3000K
Dimmable	No
CRI	> 80
IP Rating	IP65
Hardwired	



Blue: Neutral wire  
Brown: Live wire  
Yellow: Ground wire

## · Core Performance Indicators



Installation Method

Post Top Mounted-Fix the lamp base on top of the post/pillar with screws, wire then install the lampshade.

Application Scenarios

Garden, Gate, Lawn, Outdoor

Certifications

CE, ROHS, WEEE, CEC, DLC, IES

Color Temperature Adjustment

Warm White (3000K)

Product Accessories

Lamp Body × 1, Screw Kit × 1



[www.dazuma.us](http://www.dazuma.us)

+1 978-678-4855 (US Support)

[hello@dazuma.us](mailto:hello@dazuma.us)

Customer Service: Mon-Fri, 9am-6pm EST.

Online Service Team: 120 East Hollis Street, Nashua, NH 03060