



|               |  |
|---------------|--|
| Product Name  | Flood Spike Light Adjustable Angle Solar Spotlight |
| Style         | Modern   |
| Specification | Solar Powered                                      |



This solar flood spike light has a die-cast aluminum body and glass shade with a simple, stylish design.

Its adjustable head optimizes lighting and solar panel exposure, with light-sensor auto on/off.

Powered by 3.7V/2200mAh battery, it charges 4.5–6 hours and lights up to 10–12 hours at night.



## · Basic Product Information



|               |                   |
|---------------|-------------------|
| Product Model | HA078172-01B/ 02B |
| Product Type  | Spotlights        |
| Power Type    | Solar Powered     |
| Product Color | Black             |

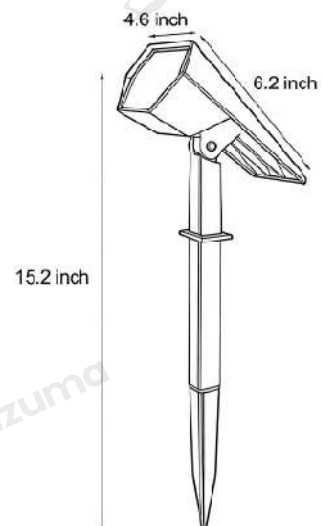
## · Product Details

|          |         |
|----------|---------|
| Material | Plastic |
|----------|---------|



## · Core Specifications

|        |             |
|--------|-------------|
| Length | 15.2 inches |
| Width  | 4.6 inches  |
| Depth  | 6.2 inches  |





|                       |       |
|-----------------------|-------|
| Voltage               | DC5V  |
| Light Source Type     | LED   |
| Light Source Included | Yes   |
| Color Temperature     | 3000K |
| Dimmable              | No    |
| IP Rating             | IP65  |

## · Core Performance Indicators



Installation Method

Ground - Easy installation: Place on the ground directly, use when powered on.

Application Scenarios

Outdoor

Certifications

CE, ROHS, WEEE, CEC, DLC, IES

Color Temperature Adjustment


RGB, Warm White ( 3000K )

Product Accessories


Fixture ×1, Manual ×1, Spike ×2, Screw Pack ×1




 [www.dazuma.us](http://www.dazuma.us)

 +1 978-678-4855 (US Support)

 [hello@dazuma.us](mailto:hello@dazuma.us)

 Customer Service: Mon-Fri, 9am-6pm EST.

 Online Service Team: 120 East Hollis Street, Nashua, NH 03060