



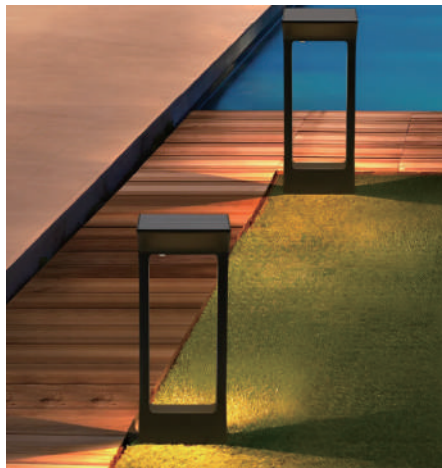
Product Name	Solar Pathway Outdoor Lamp Elegant LED Aluminum Light
Style	Modern
Specification	Solar Powered



This solar pathway lamp is made of die-cast aluminum, with 2 heights.

It charges 5- 6 hours for 6- 12 hours of 3000K warm light, IP65 waterproof, wire-free.

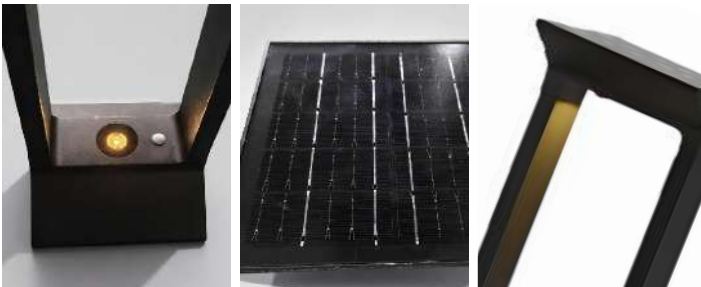
Ideal for paths, lawns and courtyards, providing safe & elegant night lighting.



· Basic Product Information



Product Model	HA091694-01B
Product Type	Bollard Lights
Power Type	Solar Powered
Product Color	Black

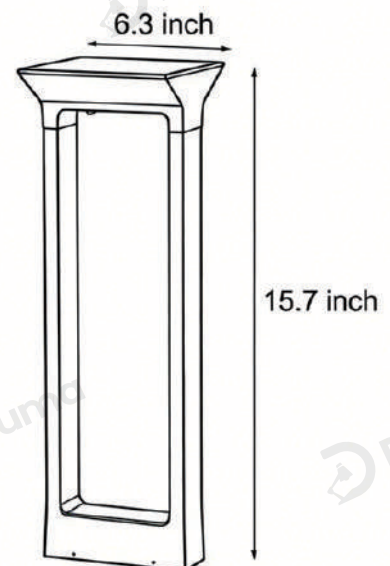


· Product Details

Material	Die-cast Aluminum
----------	-------------------

· Core Specifications

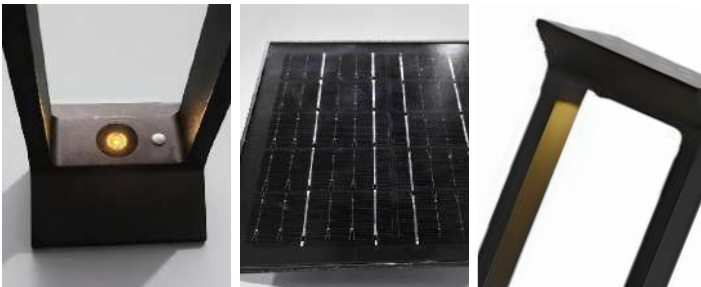
Length	15.7 inches
Width	6.3 inches
Depth	6.3 inches



· Basic Product Information



Product Model	HA091694-02B
Product Type	Bollard Lights
Power Type	Solar Powered
Product Color	Black

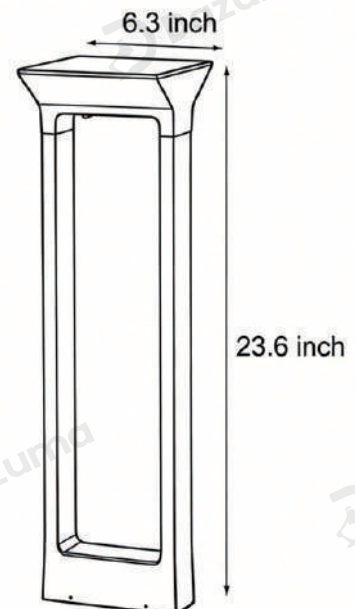


· Product Details

Material	Die-cast Aluminum
----------	-------------------

· Core Specifications

Length	23.6 inches
Width	6.3 inches
Depth	6.3 inches





Voltage	DC3.7V
Light Source Type	LED
Light Source Included	Yes
Color Temperature	3000K
Dimmable	No
IP Rating	IP65

· Core Performance Indicators



Installation Method

Ground - Easy installation: Place on the ground directly, use when powered on.

Application Scenarios

Garden, Lawn

Certifications

CE, ROHS, WEEE, CEC, DLC, IES

Color Temperature Adjustment

Warm Light (3000K)

Product Accessories

Fixture ×1, Screw Pack ×1



www.dazuma.us

+1 978-678-4855 (US Support)

hello@dazuma.us

Customer Service: Mon-Fri, 9am-6pm EST.

Online Service Team: 120 East Hollis Street, Nashua, NH 03060