



Product Name Stone Wall Sconce Lighting  
Modern LED Wall Lamp

Style Modern

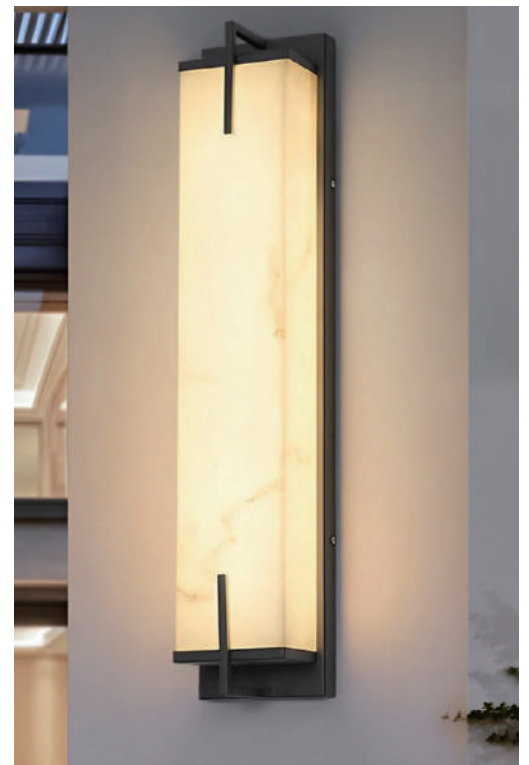
Specification Hardwired



This stone wall sconce has a stainless steel body and marble lampshade.

It features 3 color temperatures, high CRI LED, and IP54 waterproof rating.

Ideal for outdoor walls, balconies and doors, with soft, even, modern lighting.



## · Basic Product Information



Product Model	HA093071-01B/ 02B/ 03B
Product Type	Outdoor Wall Sconces
Power Type	Hardwired
Product Color	Black

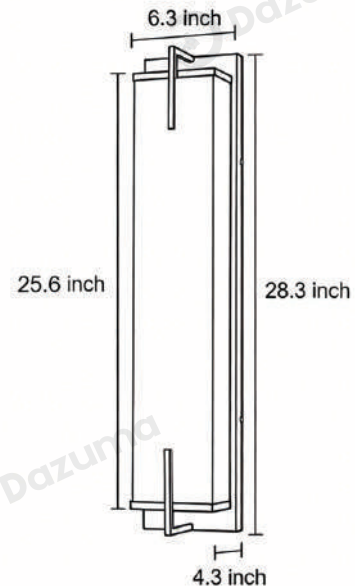


## · Product Details

Material	Stainless Steel
----------	-----------------

## · Core Specifications

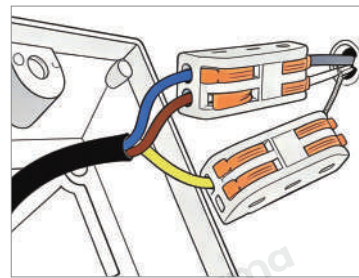
Length	28.3 inches
Width	6.3 inches
Depth	4.3 inches





Voltage	AC110V
Light Source Type	LED
Light Source Included	Yes
Color Temperature	3000- 6000K
Dimmable	No
IP Rating	IP54

Hardwired



Blue: Neutral wire  
Brown: Live wire  
Yellow: Ground wire

## · Core Performance Indicators



Installation Method	Wall Mount - Easy installation: Fix the base on the wall, wire then install the lamp body.
Application Scenarios	Balcony, Garden, Outdoor, Villa
Certifications	CE, ROHS, WEEE, CEC, DLC, IES
Color Temperature Adjustment	Neutral ( 4500K ),Warm White( 3000K ),White( 6000K )
Product Accessories	Fixture ×1, Screw Pack ×1



[www.dazuma.us](http://www.dazuma.us)

+1 978-678-4855 (US Support)

[hello@dazuma.us](mailto:hello@dazuma.us)

Customer Service: Mon-Fri, 9am-6pm EST.

Online Service Team: 120 East Hollis Street, Nashua, NH 03060