



Product Name	Clear Pendant Lights LED Handle Hanging Light Fixtures
Style	European
Specification	Solar, USB Rechargeable



These elegant clear pendant lights have a silvery-gray aluminum body and artistic acrylic shade.

They support solar & wired power, with adjustable 3-color temperature lighting.

IP65 waterproof, ideal for villa courtyards and gardens, blending modern function and beauty.



· Basic Product Information



Product Model	HA113599-01B
Product Type	LED Table Lamps
Power Type	Solar, USB Rechargeable
Product Color	White

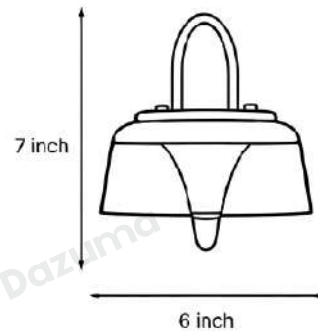


· Product Details

Material	Aluminum
----------	----------

· Core Specifications

Length	7.0 inches
Width	6.0 inches
Depth	6.0 inches





Voltage	DC5V
Light Source Type	LED Integrated
Light Source Included	Yes
Color Temperature	3000- 6000K
Dimmable	No
IP Rating	IP65

· Core Performance Indicators



Installation Method	Hanging - Easy installation: Install with rod, cord or chain suspended from ceiling.
Application Scenarios	Balcony, Entrance, Foyer, Porch
Certifications	CE, ROHS, WEEE, CEC, DLC, IES
Color Temperature Adjustment	3-Color Temperature (3000K/ 4500K/ 6000K)
Product Accessories	Fixture ×1



www.dazuma.us

+1 978-678-4855 (US Support)

hello@dazuma.us

Customer Service: Mon-Fri, 9am-6pm EST.

Online Service Team: 120 East Hollis Street, Nashua, NH 03060