



Product Name	Square Pillar Lights Light-Blocking Outdoor Lamp
Style	Modern
Specification	Hardwired



This square pillar light has a modern stepped design with aluminum body and double-layer PC shade.

It comes in two specifications with hollow or covered styles, and 3000K warm white LED.

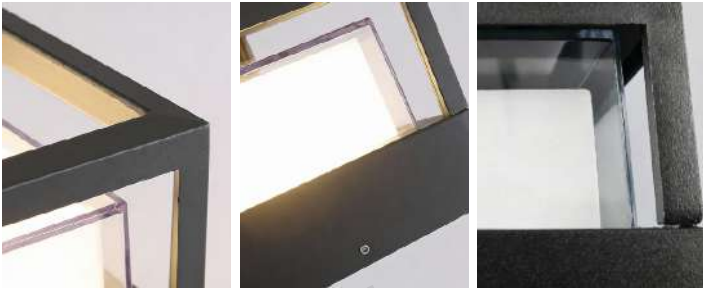
IP65 waterproof, it is ideal for outdoor posts, walls, courtyards, walkways and entrances.



· Basic Product Information



Product Model	LI000830-01B
Product Type	Pillar Lights
Power Type	Hardwired
Product Color	Black

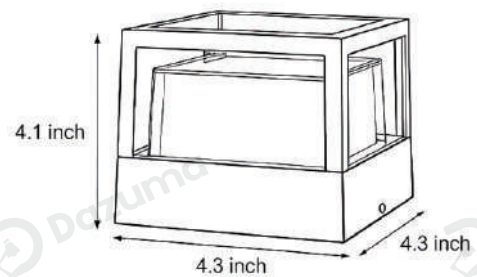


· Product Details

Material	Aluminum Alloy
----------	----------------

· Core Specifications

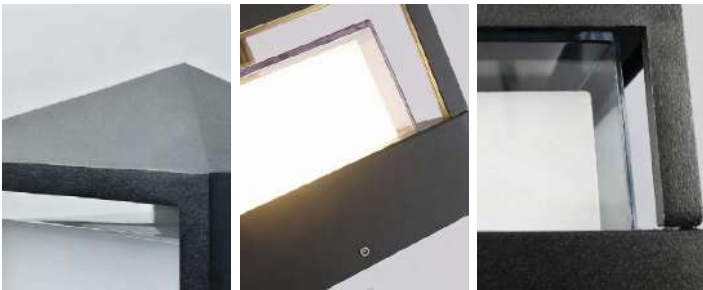
Length	4.1 inches
Width	4.3 inches
Depth	4.3 inches



· Basic Product Information



Product Model	L1000830-02B
Product Type	Pillar Lights
Power Type	Hardwired
Product Color	Black

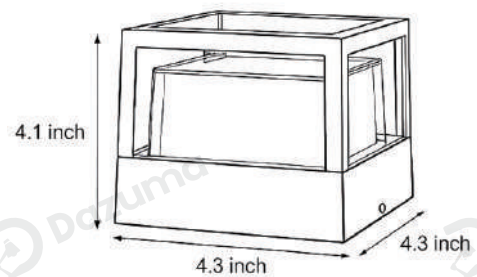


· Product Details

Material	Aluminum Alloy
----------	----------------

· Core Specifications

Length	4.1 inches
Width	4.3 inches
Depth	4.3 inches



· Basic Product Information



Product Model	L1000830-03B
Product Type	Pillar Lights
Power Type	Hardwired
Product Color	Black

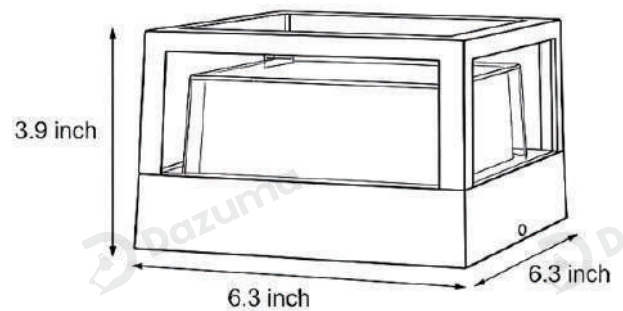


· Product Details

Material	Aluminum Alloy
----------	----------------

· Core Specifications

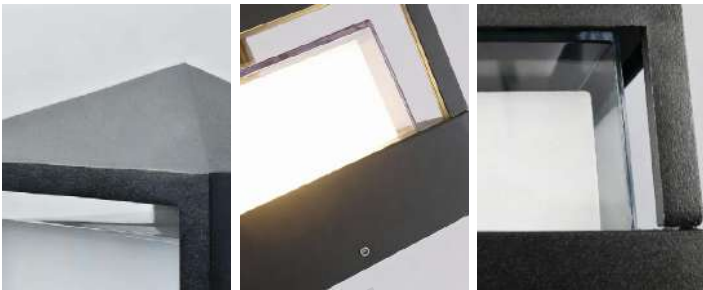
Length	3.9 inches
Width	6.3 inches
Depth	6.3 inches



· Basic Product Information



Product Model	LI000830-04B
Product Type	Pillar Lights
Power Type	Hardwired
Product Color	Black

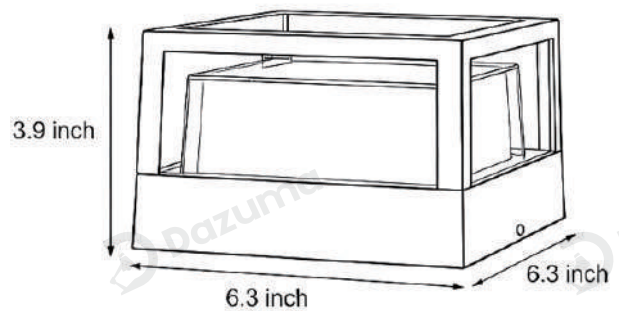


· Product Details

Material	Aluminum Alloy
----------	----------------

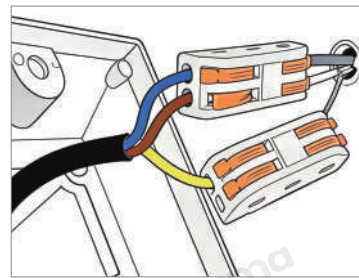
· Core Specifications

Length	3.9 inches
Width	6.3 inches
Depth	6.3 inches





Voltage	AC110- 220V
Light Source Type	LED
Light Source Included	Yes
Color Temperature	3000K
Dimmable	No
CRI	Ra>80
IP Rating	IP65
Hardwired	



Blue: Neutral wire
 Brown: Live wire
 Yellow: Ground wire

· Core Performance Indicators



Installation Method	Placed - Easy installation: Place on the ground directly, use when powered on.
Application Scenarios	Courtyard, Garden, Outdoor, Residential Area
Certifications	CE, ROHS, WEEE, CEC, DLC, IES
Color Temperature Adjustment	Warm White (3000K)
Product Accessories	Fixture ×1, Screw Pack ×1



www.dazuma.us

+1 978-678-4855 (US Support)

hello@dazuma.us

Customer Service: Mon-Fri, 9am-6pm EST.

Online Service Team: 120 East Hollis Street, Nashua, NH 03060