



Product Name Bollard Pathway Lights

Style Modern

Specification 10.2"/23.6"



This bollard light features a die-cast aluminum main body and an acrylic lampshade, and is available in two column shapes: square and round. It offers two color temperature options: cool white and warm white. The 12W LED light source delivers high brightness, energy efficiency and durability, with light distributed evenly and softly through the acrylic surface. The intelligent control circuit ensures stable operation, and its IP65 waterproof and dustproof structure makes it suitable for outdoor use in various climates.



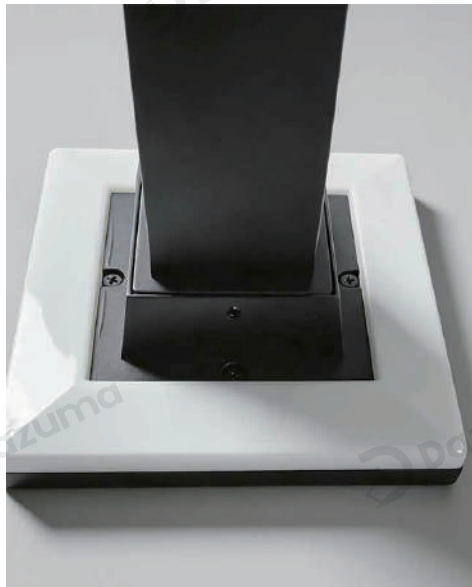
· Basic Product Information



Product Model	LI001151
Product Type	Bollard Lights
Power Type	Hardwired
Product Color	Black

· Product Details

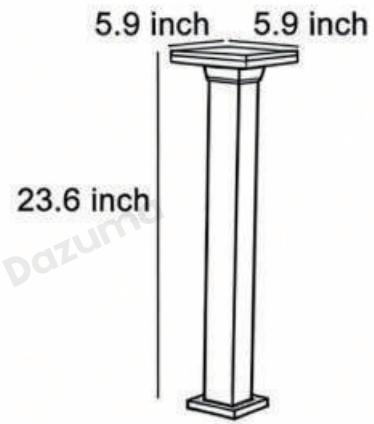
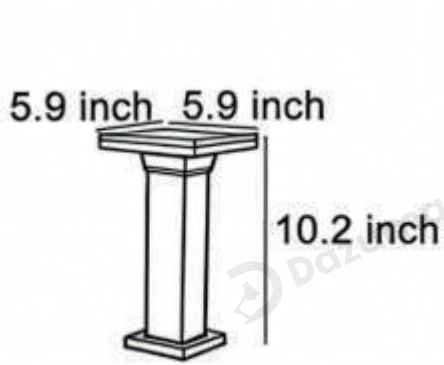
Material	Aluminum + Acrylic
----------	--------------------



· **Core Specifications**

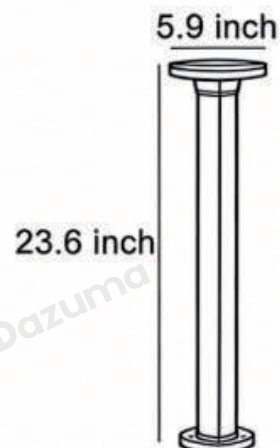
Width 5.9 inches
 Depth 5.9 inches
 Height 10.2 inches

Width 5.9 inches
 Depth 5.9 inches
 Height 23.6 inches



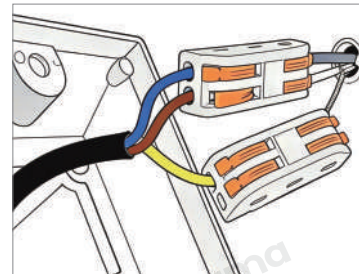
Width 5.9 inches
 Depth 5.9 inches
 Height 10.2 inches

Width 5.9 inches
 Depth 5.9 inches
 Height 23.6 inches



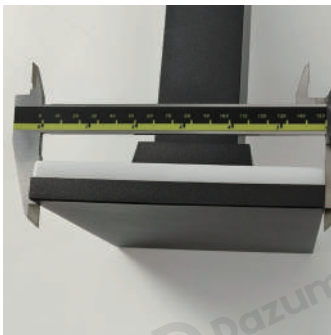


Voltage	AC90-260V
Light Source Type	LED light panel
Light Source Included	Yes
Color Temperature	3000K
Dimmable	No
CRI	90
IP Rating	IP65
Hardwired	



Blue: Neutral wire
Brown: Live wire
Yellow: Ground wire

• Core Performance Indicators



Installation Method	Base Mounted with Bolts-Fix base to ground with bolts
Application Scenarios	Courtyard,Garden,Lawn
Certifications	CE, ROHS, WEEE, CEC, DLC, IES
Color Temperature Adjustment	Warm White (3000K),White (6000K)
Product Accessories	Lamp body ×1, Screw pack ×1



www.dazuma.us

+1 978-678-4855 (US Support)

hello@dazuma.us

Customer Service: Mon-Fri, 9am-6pm EST.

Online Service Team: 120 East Hollis Street, Nashua, NH 03060