



| | |
|---------------|-----------------------------------------------------------------|
| Product Name | Outdoor Ceiling Lighting Fixtures Round Waterproof LED Light |
| Style | Modern |
| Specification | Hardwired |



This outdoor fixture works as wall light & ceiling light, fitting courtyards, porches and hallways.

Die-cast aluminum body and PC shade offer anti-glare bright light and long durability.

IP65 waterproof design ensures stable performance in rainy and harsh outdoor environments.



· Basic Product Information



Product Model

LI001180-01B/ 02B

Product Type

Outdoor Flush Mount Lights

Power Type

Hardwired

Product Color

Black



· Product Details

Material

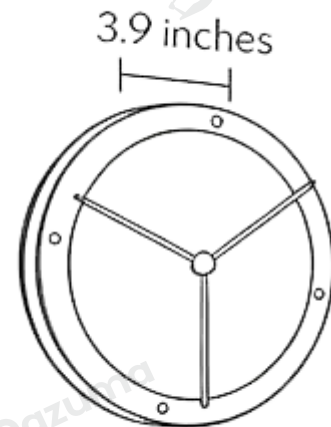
Aluminum

· Core Specifications

Length 11.8 inches

Width 11.8 inches

Depth 3.9 inches



11.8 inches

· Basic Product Information



| | |
|---------------|----------------------------|
| Product Model | LI001180-03B/ 04B |
| Product Type | Outdoor Flush Mount Lights |
| Power Type | Hardwired |
| Product Color | Black |

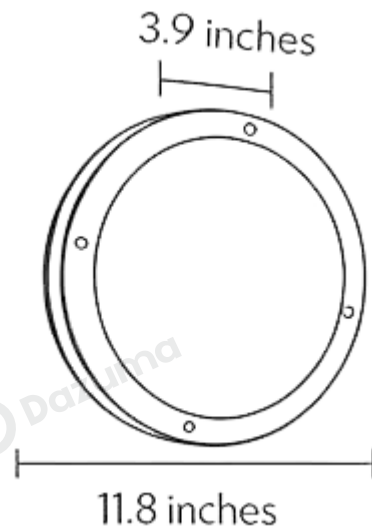


· Product Details

| | |
|----------|----------|
| Material | Aluminum |
|----------|----------|

· Core Specifications

| | |
|--------|-------------|
| Length | 11.8 inches |
| Width | 11.8 inches |
| Depth | 3.9 inches |



· Basic Product Information



| | |
|---------------|----------------------------|
| Product Model | LI001180-05B/ 06B |
| Product Type | Outdoor Flush Mount Lights |
| Power Type | Hardwired |
| Product Color | Black |

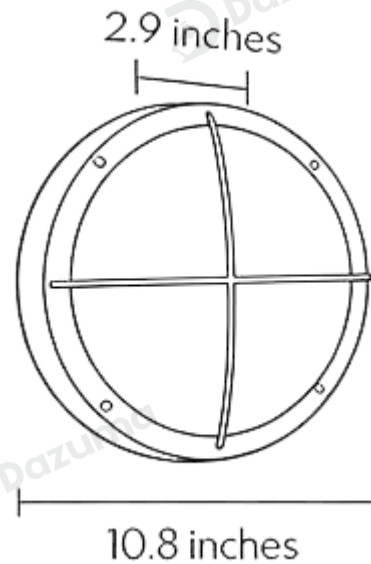


· Product Details

| | |
|----------|----------|
| Material | Aluminum |
|----------|----------|

· Core Specifications

| | |
|--------|-------------|
| Length | 10.8 inches |
| Width | 10.8 inches |
| Depth | 2.9 inches |



· Basic Product Information



| | |
|---------------|----------------------------|
| Product Model | LI001180-07B/ 08B |
| Product Type | Outdoor Flush Mount Lights |
| Power Type | Hardwired |
| Product Color | Black |

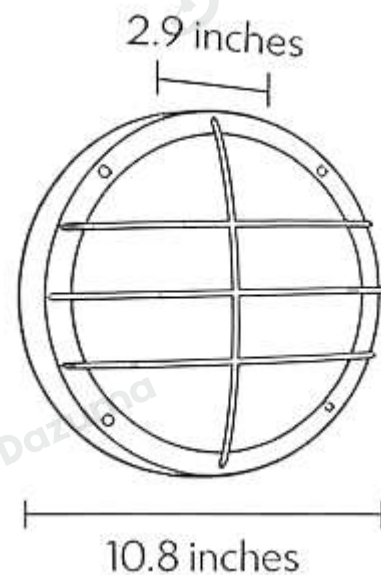


· Product Details

| | |
|----------|----------|
| Material | Aluminum |
|----------|----------|

· Core Specifications

| | |
|--------|-------------|
| Length | 10.8 inches |
| Width | 10.8 inches |
| Depth | 2.9 inches |



· Basic Product Information



| | |
|---------------|----------------------------|
| Product Model | LI001180-09B/ 10B |
| Product Type | Outdoor Flush Mount Lights |
| Power Type | Hardwired |
| Product Color | Black |

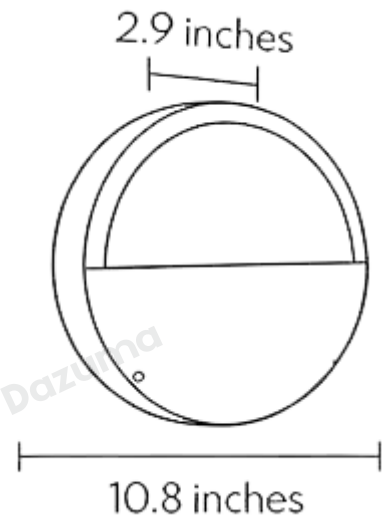


· Product Details

| | |
|----------|----------|
| Material | Aluminum |
|----------|----------|

· Core Specifications

| | |
|--------|-------------|
| Length | 10.8 inches |
| Width | 10.8 inches |
| Depth | 2.9 inches |



· Basic Product Information



| | |
|---------------|----------------------------|
| Product Model | LI001180-11B/ 12B |
| Product Type | Outdoor Flush Mount Lights |
| Power Type | Hardwired |
| Product Color | Black |

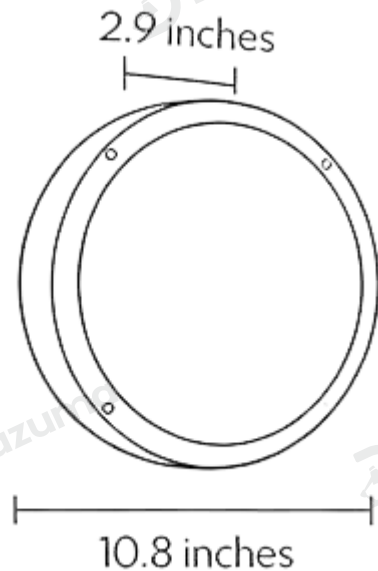


· Product Details

| | |
|----------|----------|
| Material | Aluminum |
|----------|----------|

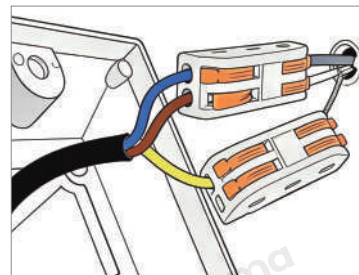
· Core Specifications

| | |
|--------|-------------|
| Length | 10.8 inches |
| Width | 10.8 inches |
| Depth | 2.9 inches |





| | |
|-----------------------|--------------|
| Voltage | AC85-265V |
| Light Source Type | LED E27 Bulb |
| Light Source Included | Yes |
| Color Temperature | 3000- 6000K |
| Dimmable | No |
| CRI | 80 |
| IP Rating | IP65 |
| Hardwired | |



Blue: Neutral wire
Brown: Live wire
Yellow: Ground wire

• Core Performance Indicators



| | |
|------------------------------|--------------------------------------------------------------------------------------------|
| Installation Method | Wall Mount - Easy installation: Fix the base on the wall, wire then install the lamp body. |
| Application Scenarios | Balcony, Entrance |
| Certifications | CE, ROHS, WEEE, CEC, DLC, IES |
| Color Temperature Adjustment | Warm White (3000K), White (6000K) |
| Product Accessories | Fixture ×1, Screw Pack ×1 |



www.dazuma.us

+1 978-678-4855 (US Support)

hello@dazuma.us

Customer Service: Mon-Fri, 9am-6pm EST.

Online Service Team: 120 East Hollis Street, Nashua, NH 03060