



Product Name	Black Outdoor Pendant Light Solar Waterproof LED Light
Style	Modern Industry
Specification	Solar Powered



This black outdoor solar pendant light has a zinc-plated iron body and PC shade.

It charges in 6 hours, lights 12–13 hours, with white/warm/dual-color options.

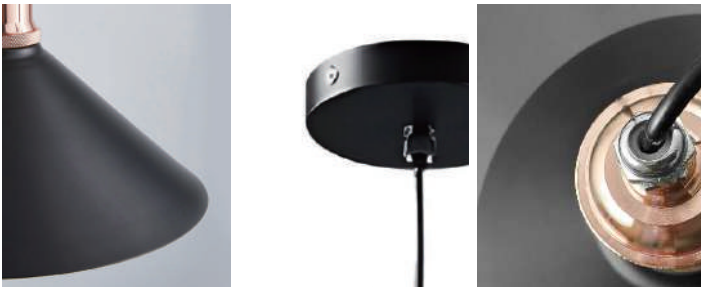
Wireless and easy to install, ideal for doorways, gardens and terraces.



· Basic Product Information



Product Model	LI001269-01B
Product Type	Outdoor Hanging Lights
Power Type	Solar Powered
Product Color	Black

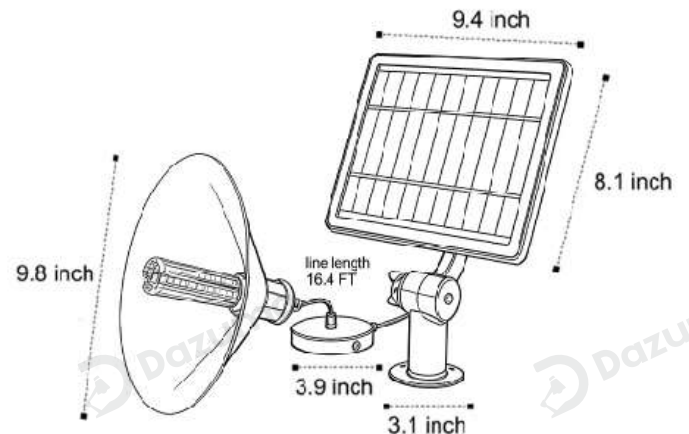


· Product Details

Material	Galvanized Iron
----------	-----------------

· Core Specifications

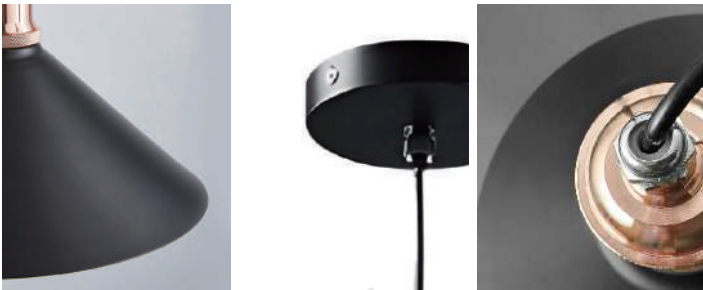
Length	196.9 inches
Width	9.8 inches
Depth	9.8 inches



· Basic Product Information



Product Model	LI001269-02B/ 03B
Product Type	Outdoor Hanging Lights
Power Type	Solar Powered
Product Color	Black

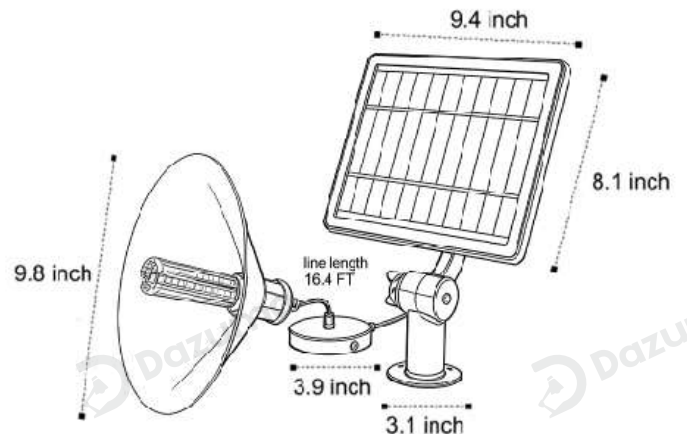


· Product Details

Material	Galvanized Iron
----------	-----------------

· Core Specifications

Length	196.9 inches
Width	9.8 inches
Depth	9.8 inches





Light Source Type	LED Integrated
Light Source Included	Yes
Color Temperature	3000- 6000K
Dimmable	No
IP Rating	IP55

· Core Performance Indicators



Installation Method	Hanging - Easy installation: Fix the base on the ceiling directly, wire, then install the lamp and lampshade.
Application Scenarios	Courtyard, Garden, Hotel
Certifications	CE, ROHS, WEEE, CEC, DLC, IES
Color Temperature Adjustment	Dual Color Temperature(3000K/ 6000K), Warm White (3000K), White (6000K)
Product Accessories	Fixture ×1, Floor Socket ×1, Base ×1, Screw Pack ×2



www.dazuma.us

+1 978-678-4855 (US Support)

hello@dazuma.us

Customer Service: Mon-Fri, 9am-6pm EST.

Online Service Team: 120 East Hollis Street, Nashua, NH 03060