



Product Name	Commercial Pendant Lighting Modern Rectangular LED Light
Style	Modern
Specification	Hardwired



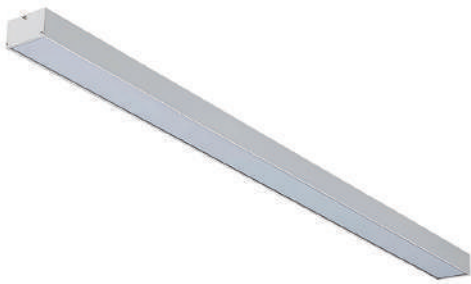
This commercial linear pendant light has an aluminum body in black, white with two widths.

It supports ceiling, pendant or modular install with CRI90 LED and long 50000-hour life.

IP44 rated, it provides uniform lighting for offices, malls, gyms and other indoor spaces.



· Basic Product Information



Product Model LI001577-07B/08B/10B/11B

Product Type Medium & Large Pendants

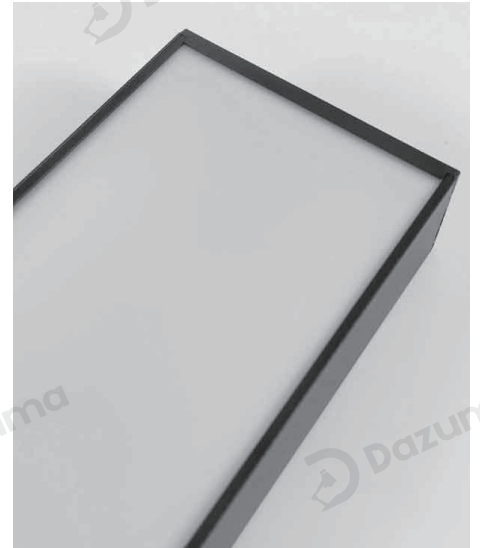
Power Type Hardwired

Product Color White

· Product Details

Material

Aluminum

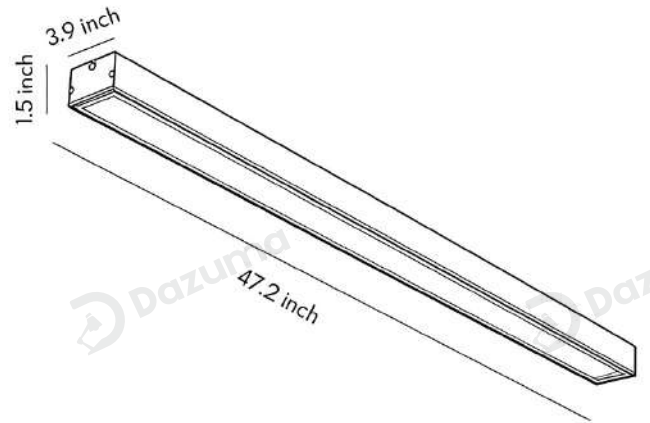
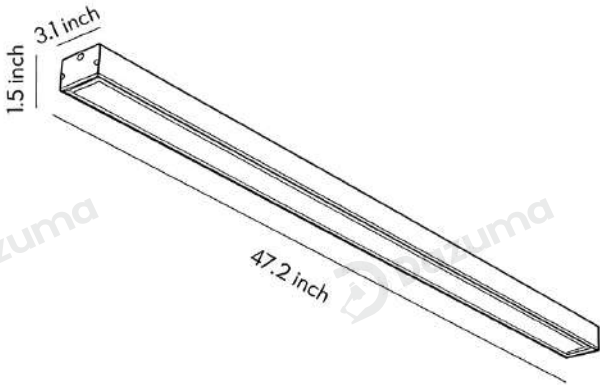


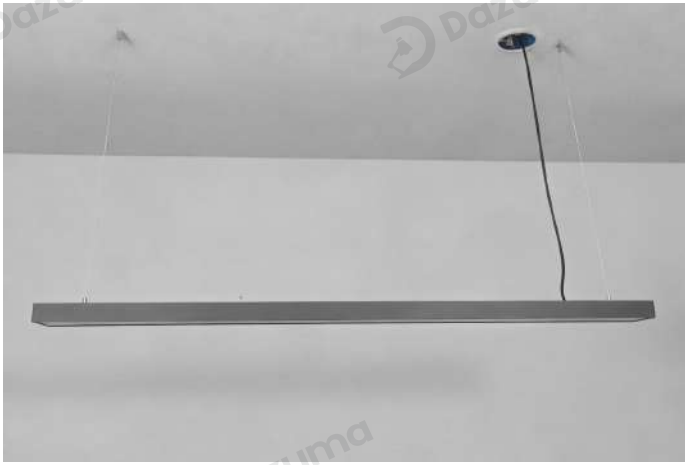


• Core Specifications

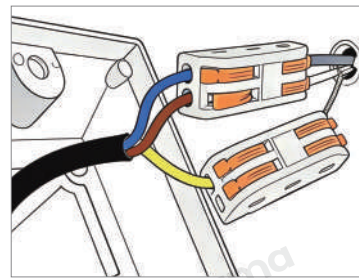
Length 47.2 inches
Width 3.1 inches
Depth 1.5 inches

Length 47.2 inches
Width 3.9 inches
Depth 1.5 inches





Voltage	AC110V
Light Source Type	LED
Light Source Included	Yes
Color Temperature	3000- 6500K
Dimmable	NO
CRI	90
IP Rating	IP44
Hardwired	



Blue: Neutral wire
Brown: Live wire
Yellow: Ground wire

· Core Performance Indicators



Installation Method

Ceiling Mount - Easy installation: Install with rod, cord or chain suspended from ceiling.

Application Scenarios

Home Office, Outdoor

Certifications

CE, ROHS, WEEE, CEC, DLC, IES

Color Temperature Adjustment

Warm White (3000K), White (6500K)

Product Accessories

Fixture ×1, Screw Pack ×1



www.dazuma.us

+1 978-678-4855 (US Support)

hello@dazuma.us

Customer Service: Mon-Fri, 9am-6pm EST.

Online Service Team: 120 East Hollis Street, Nashua, NH 03060

· Basic Product Information



Product Model LI001577-01B/02B/04B/05B

Product Type Medium & Large Pendants

Power Type Hardwired

Product Color Black

· Product Details

Material

Aluminum

