



Product Name Concrete Pillar Lights

Style Modern

Specification Solar / Hardwired



This post lamp features a stainless steel open frame and acrylic lampshade, available in three sizes for different posts or walls.

It supports both solar and wired power modes, providing soft and even 3000K warm white light.

With an IP54 protection rating, it is suitable for semi-outdoor areas such as patios, garden fences, driveway posts and other environments.



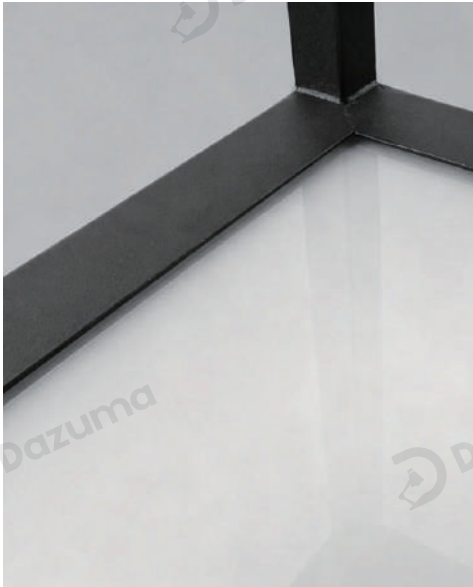
· Basic Product Information



| | |
|---------------|-----------------|
| Product Model | LI001724 |
| Product Type | Pillar Lights |
| Power Type | Hardwired,Solar |
| Product Color | Black |

· Product Details

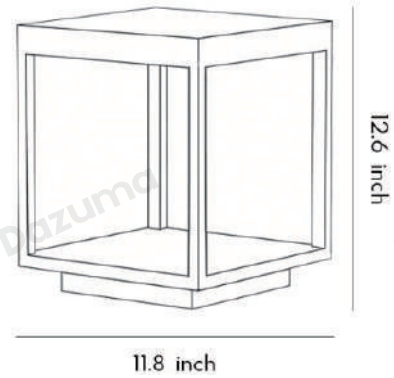
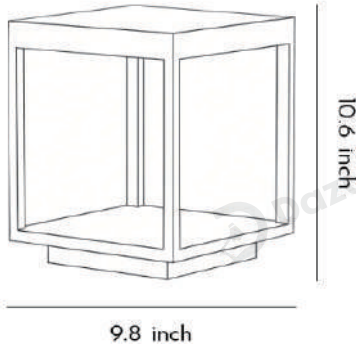
| | |
|----------|--------------------------|
| Material | Stainless Steel +Acrylic |
|----------|--------------------------|



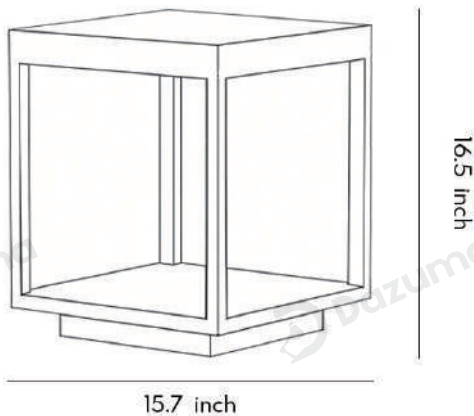
· Core Specifications

Width 9.8 inches
Depth 9.8 inches
Height 10.6 inches

Width 11.8 inches
Depth 11.8 inches
Height 12.6 inches



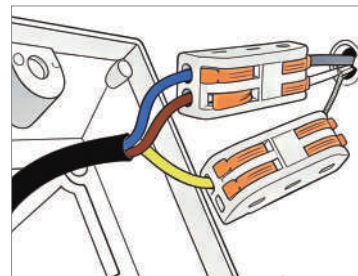
Width 15.7 inches
Depth 15.7 inches
Height 16.5 inches





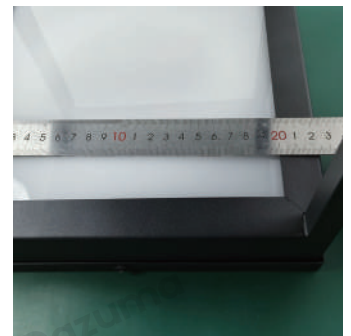
| | |
|-----------------------|-----------------|
| Voltage | 110V |
| Light Source Type | LED light board |
| Light Source Included | Yes |
| Color Temperature | 3000K |
| Dimmable | No |
| CRI | 90 |
| IP Rating | IP54 |

Hardwired



Blue: Neutral wire
Brown: Live wire
Yellow: Ground wire

· Core Performance Indicators



Installation Method

Post Top Mounted-Fix the lamp base on top of the post/pillar with screws, wire then install the lampshade.

Application Scenarios

Garden, Villa

Certifications

CE, ROHS, WEEE, CEC, DLC, IES

Color Temperature Adjustment


Warm White (3000K)

Product Accessories


Lamp body ×1, remote control ×1, AA batteries ×2, screw pack ×1




 www.dazuma.us

 +1 978-678-4855 (US Support)

 hello@dazuma.us

 Customer Service: Mon-Fri, 9am-6pm EST.

 Online Service Team: 120 East Hollis Street, Nashua, NH 03060