



**Dazuma**

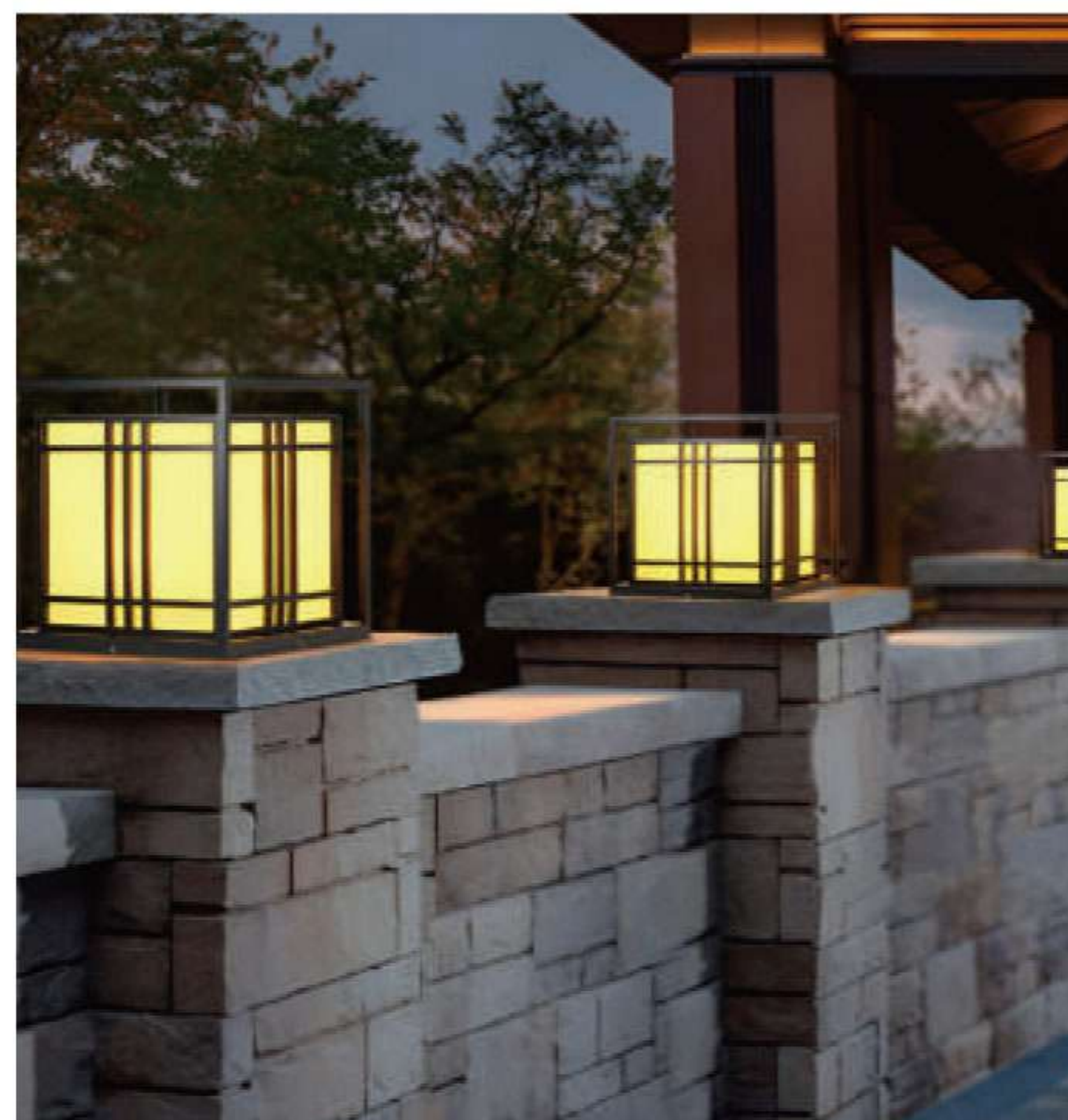
Product Name	Caged Pillar Lights Vintage Square Waterproof LED Light
Style	Modern
Specification	Solar Powered



This caged pillar light uses galvanized steel with multi-process treatment for great rust resistance.

Marble-effect lampshade offers high light transmission and elegant texture for outdoor spaces.

IP65 waterproof, classic black style suits villas, gardens, gates and various outdoor scenes.



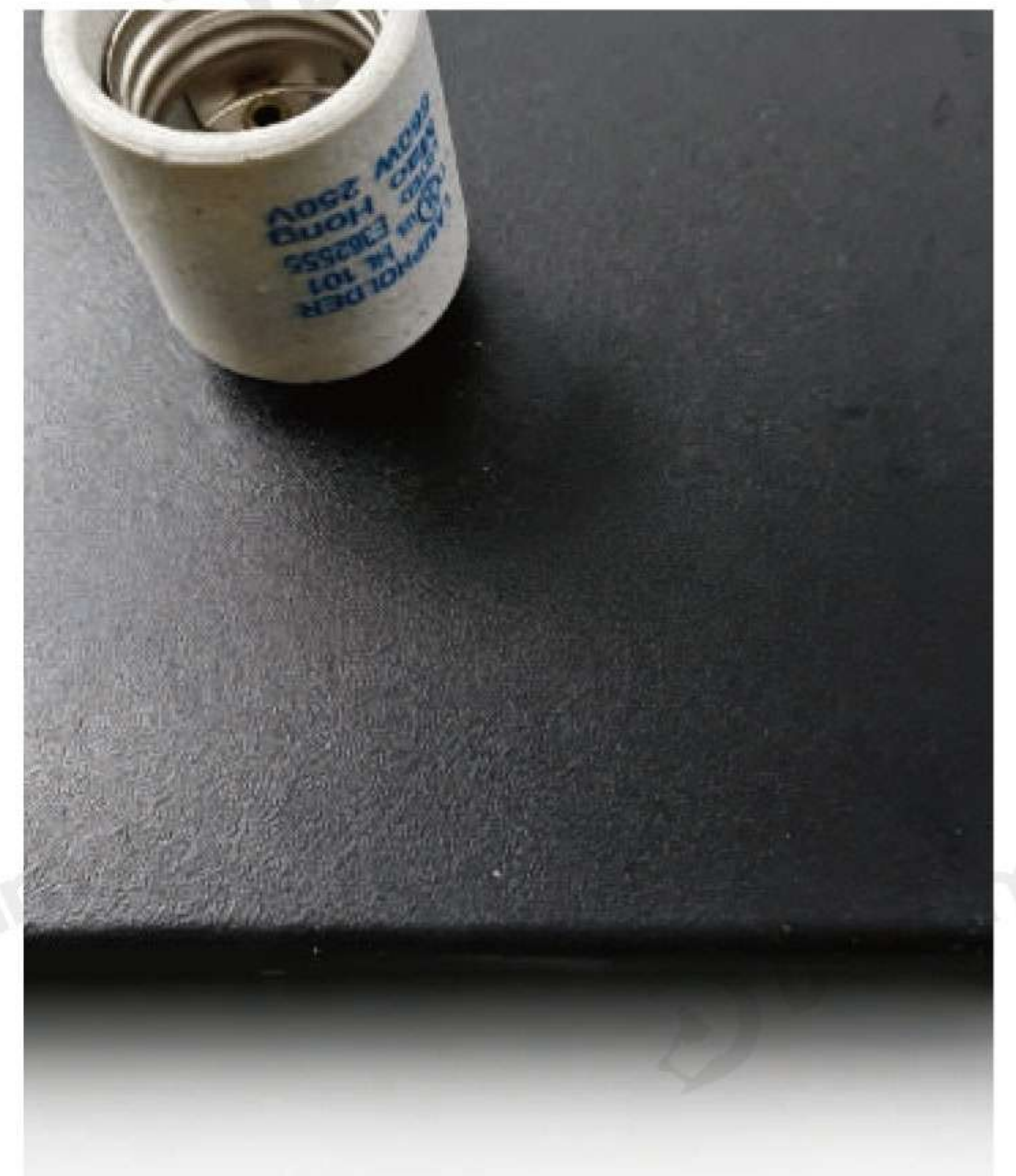
## · Basic Product Information



Product Model	LI001850-01B/02B/03B/04B
Product Type	Pillar Lights
Power Type	Solar Powered
Product Color	Black

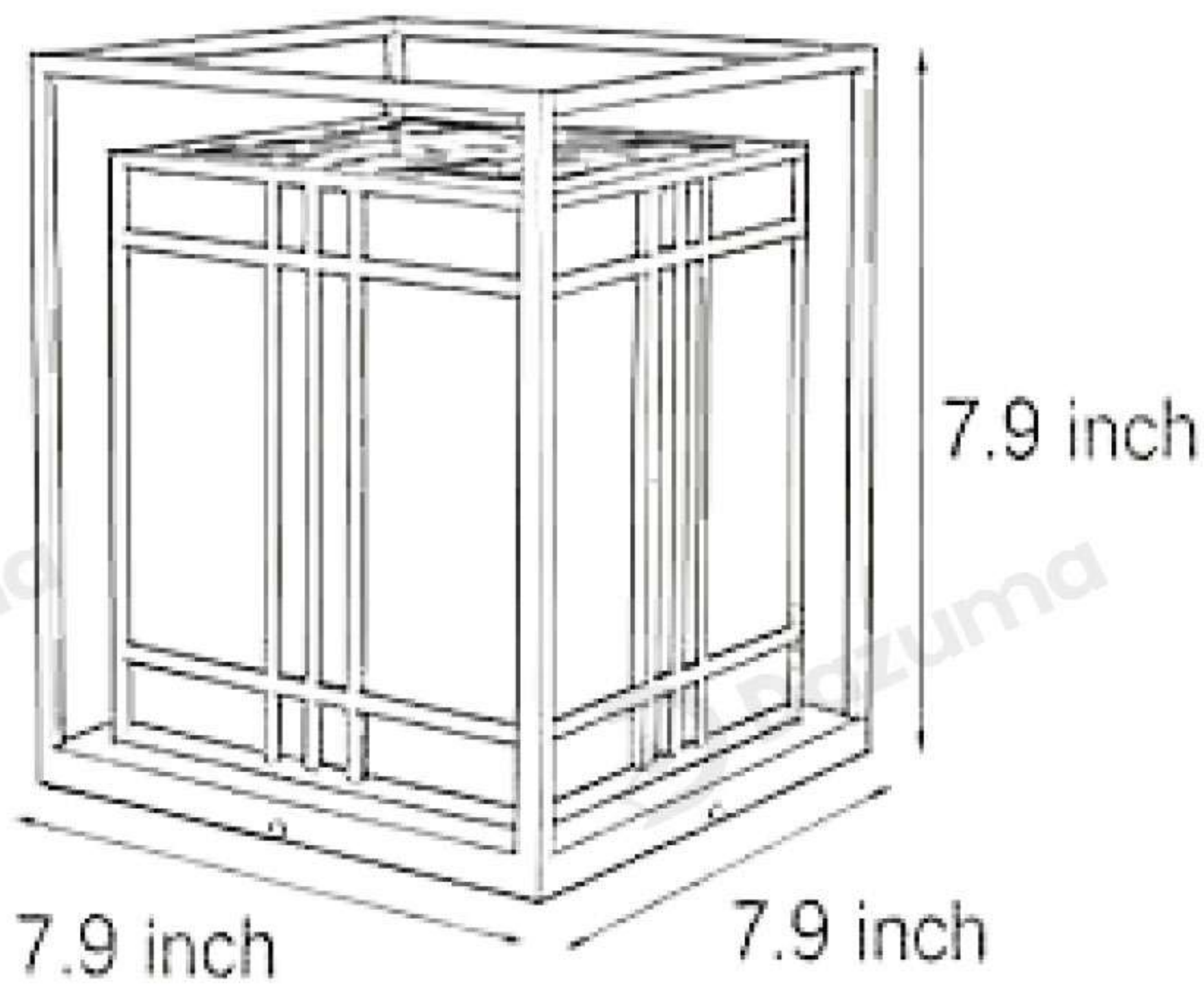
## · Product Details

Material	Galvanized Sheet, Imitation Marble
----------	---------------------------------------

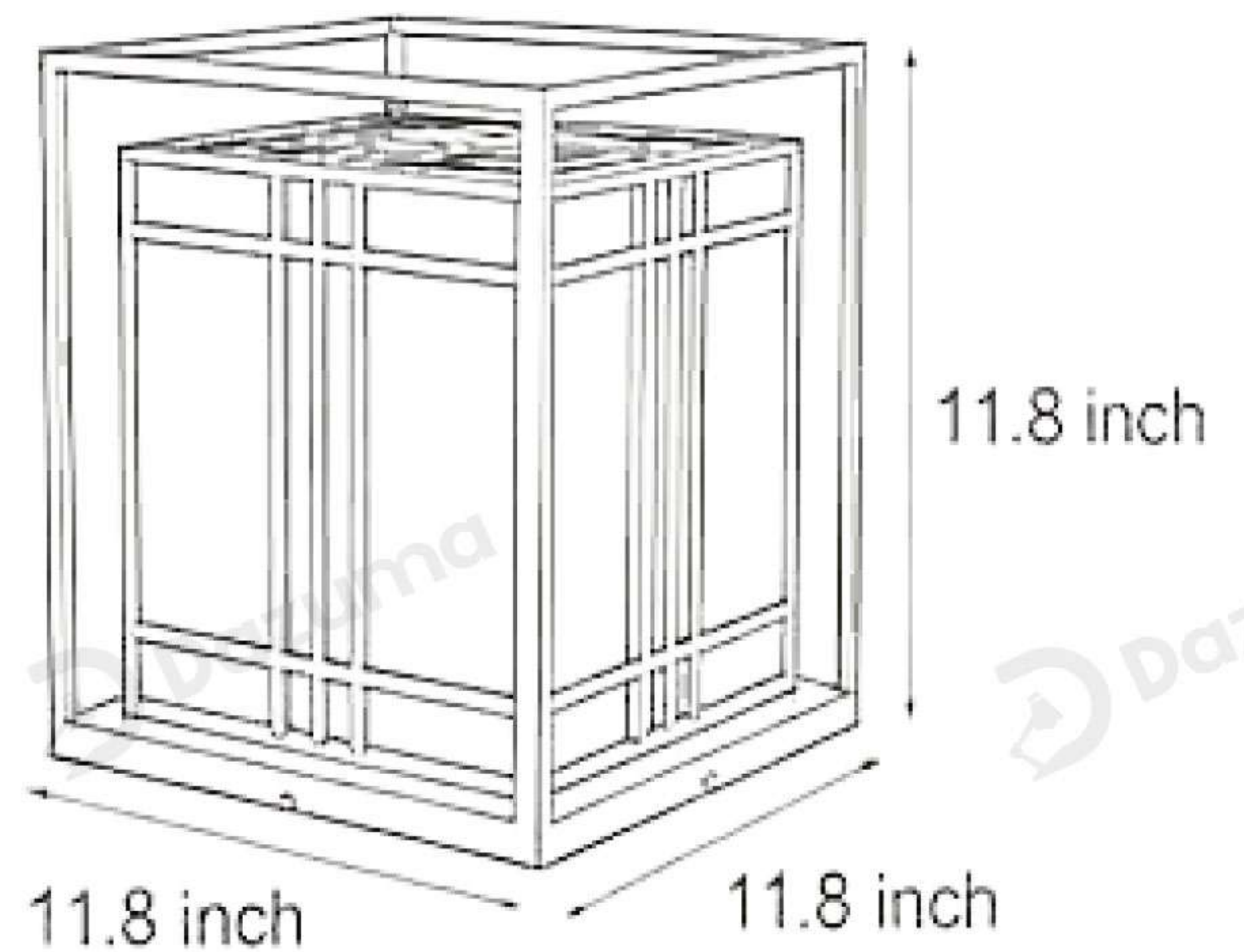


• Core Specifications

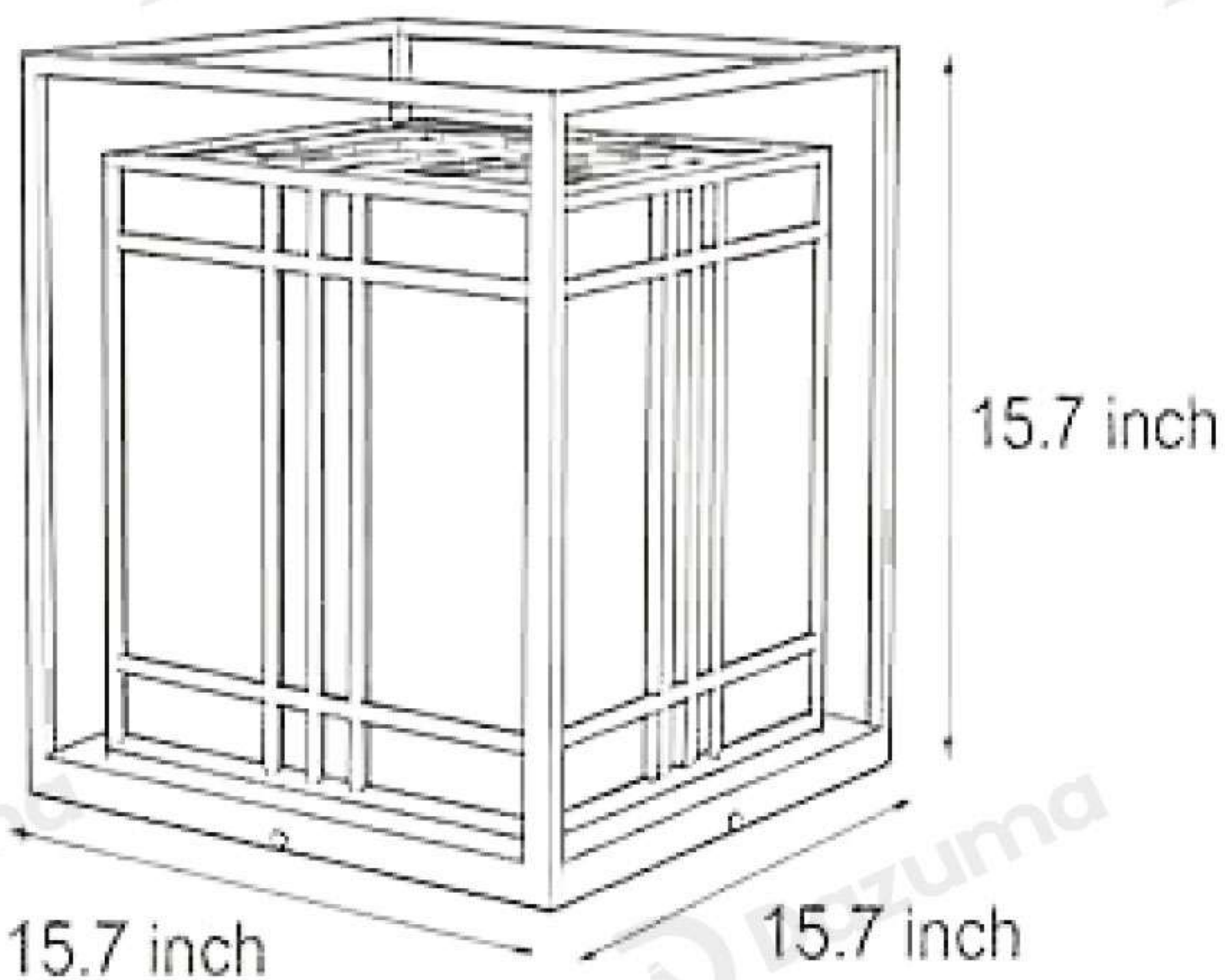
Length 7.9 inches  
 Width 7.9 inches  
 Depth 7.9 inches



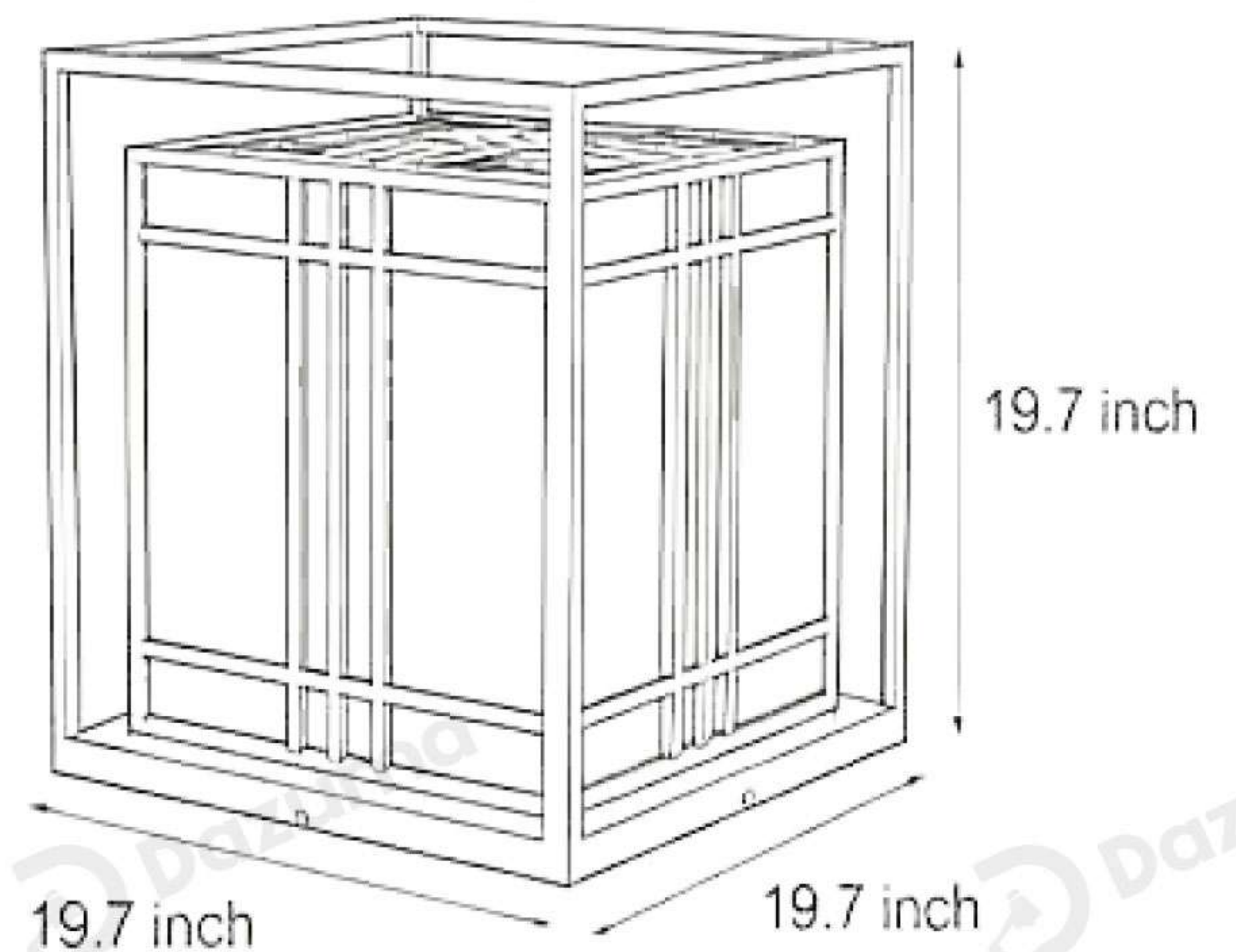
Length 11.8 inches  
 Width 11.8 inches  
 Depth 11.8 inches



Length 15.7 inches  
 Width 15.7 inches  
 Depth 15.7 inches



Length 19.7 inches  
 Width 19.7 inches  
 Depth 19.7 inches





Voltage AC110V

Light Source Type LED

Light Source Included Yes

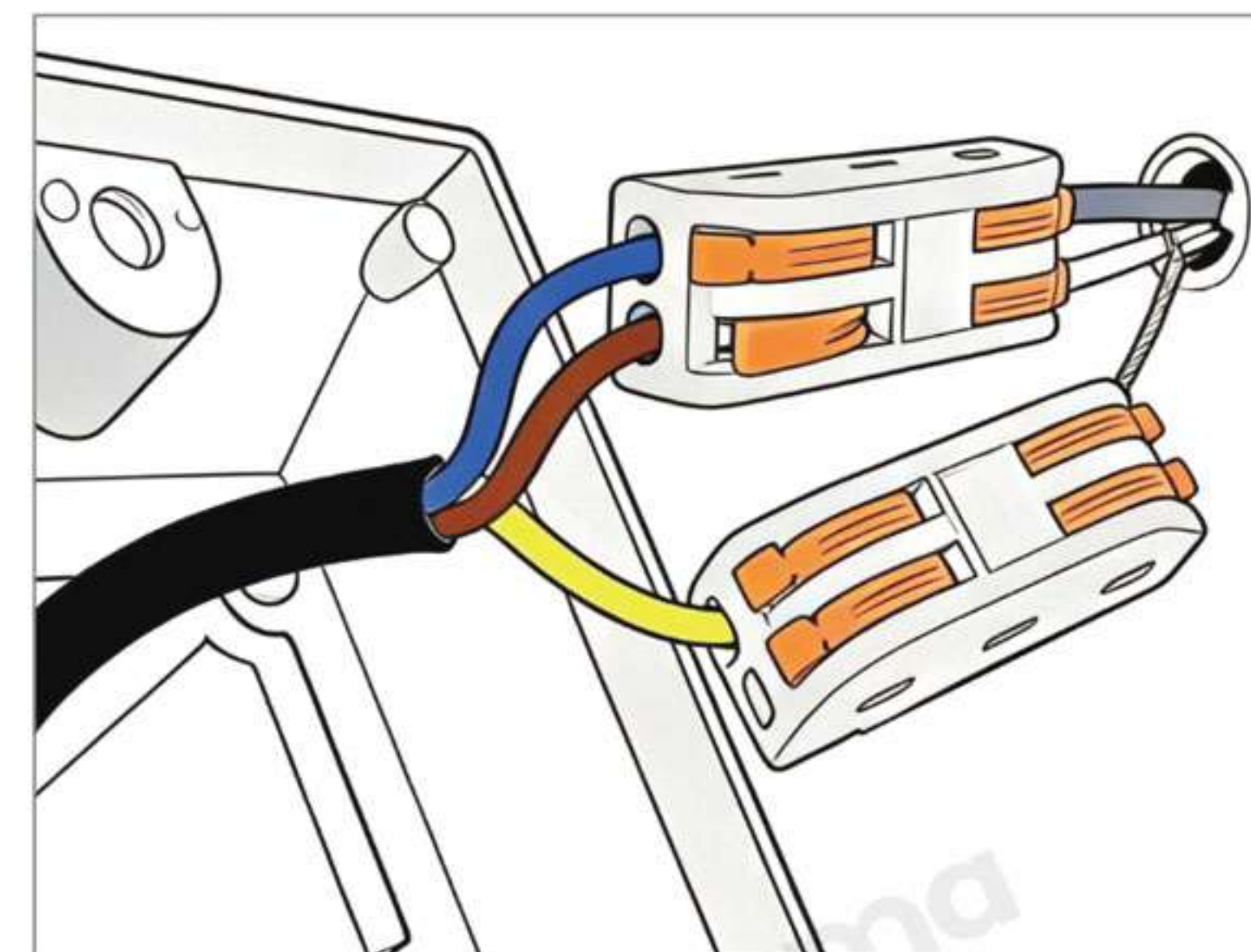
Color Temperature 3000K

Dimmable No

CRI 80

IP Rating IP65

Hardwired



Blue: Neutral wire

Brown: Live wire

Yellow: Ground wire

## • Core Performance Indicators



Installation Method

Ground - Easy installation: Place on the ground directly, use when powered on.

Application Scenarios

Courtyard, Lawn, Villa

Certifications

CE, ROHS, WEEE, CEC, DLC, IES

Color Temperature Adjustment

Warm White ( 3000K )

Product Accessories

Fixture ×1, Screw Pack ×1



[www.dazuma.us](http://www.dazuma.us)

+1 978-678-4855 (US Support)

[hello@dazuma.us](mailto:hello@dazuma.us)

Customer Service: Mon-Fri, 9am-6pm EST.

Online Service Team: 120 East Hollis Street, Nashua, NH 03060