



Product Name Black Gate Pillar Lights

Style Modern

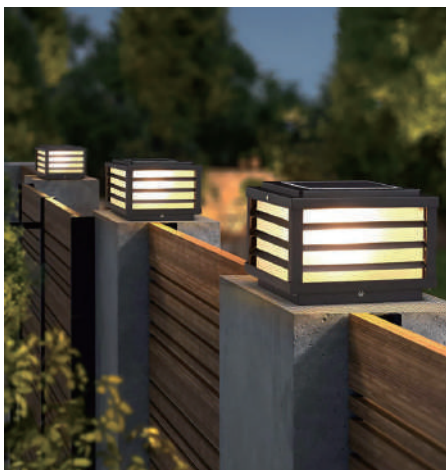
Specification Hardwired,Solar



This black post lamp features a die-cast aluminum body and a glass lampshade.

It is available in three width specifications and two power modes.

The built-in LED light source emits 3000K warm white light, suitable for installation on yard fence posts, garden gate posts, path posts, etc.



· Basic Product Information



Product Model	LI002006
Product Type	Pillar Lights
Power Type	Hardwired,Solar
Product Color	Black

· Product Details

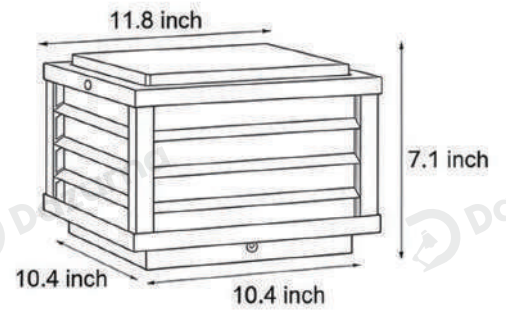
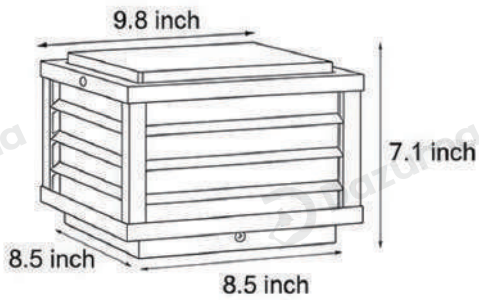
Material	Die-cast aluminum + glass
----------	---------------------------



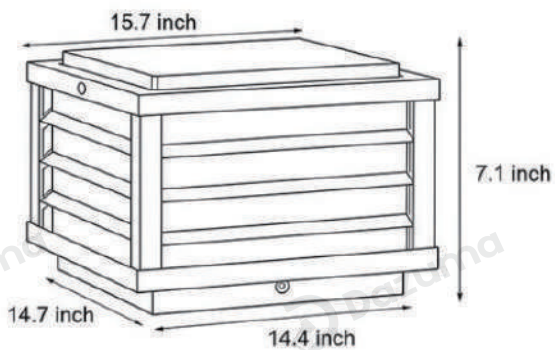
· **Core Specifications**

Width 9.8 inches
 Depth 9.8 inches
 Height 7.1 inches

Width 11.8 inches
 Depth 11.8 inches
 Height 7.1 inches

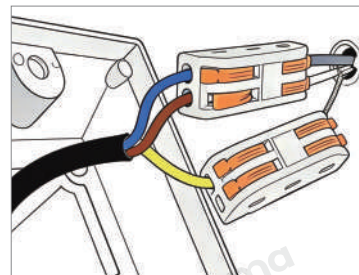


Width 15.7 inches
 Depth 15.7 inches
 Height 7.1 inches



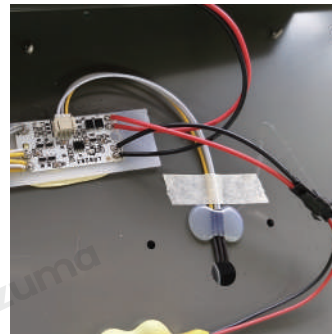


Voltage	AC110-220V
Light Source Type	LED
Light Source Included	Yes
Color Temperature	3000- 6000K
Dimmable	Yes
CRI	Ra>80
IP Rating	IP65
Hardwired	



Blue: Neutral wire
Brown: Live wire
Yellow: Ground wire

· Core Performance Indicators



Installation Method	Post Top Mounted-Fix the lamp base on top of the post/pillar with screws, wire then install the lampshade.
Application Scenarios	Courtyard,Garden,Outdoor
Certifications	CE, ROHS, WEEE, CEC, DLC, IES
Color Temperature Adjustment	3-Color Temperature (3000K/ 4500K/ 6000K), Warm White (3000K)
Product Accessories	Fixture ×1



www.dazuma.us

+1 978-678-4855 (US Support)

hello@dazuma.us

Customer Service: Mon-Fri, 9am-6pm EST.

Online Service Team: 120 East Hollis Street, Nashua, NH 03060