



Product Name	Glowing Pillar Light
Style	Modern
Specification	1-Piece / 2-Piece / 4-Piece



This glowing pillar light combines high efficiency with a sleek design. Made of durable PC material, it is UV-resistant and waterproof.

Equipped with high-efficiency solar panels for fast charging, it provides up to 10 hours of lighting when fully charged.

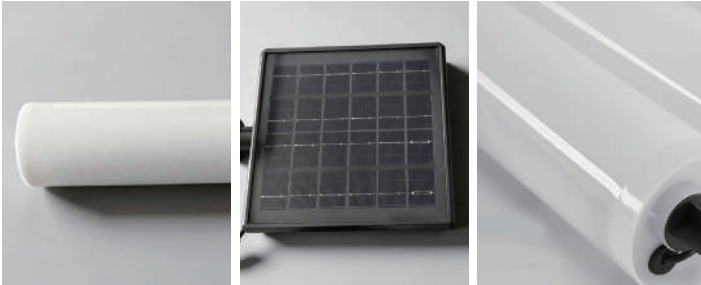
With an IP54 waterproof rating, it withstands all weather conditions, making it a reliable choice for outdoor lighting.



· Basic Product Information



Product Model	LI002141-01B
Product Type	Bollard Lights
Power Type	Solar Powered
Product Color	White

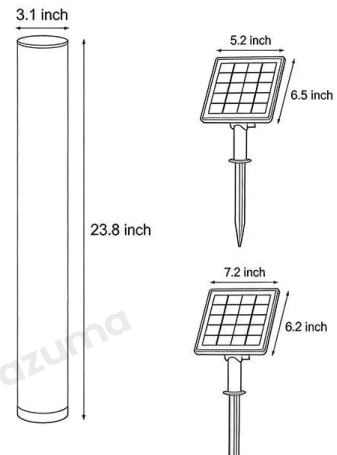


· Product Details

Material	PC, ABS
----------	---------

· Core Specifications

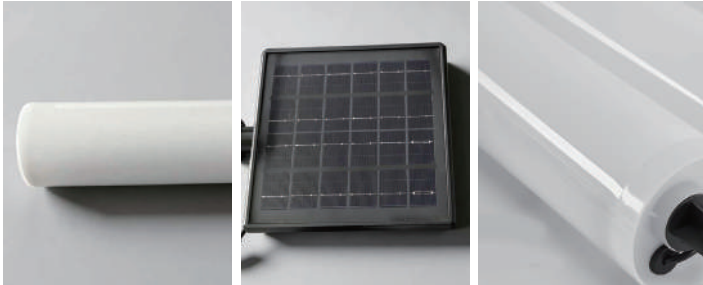
Width	3.1 inches
Depth	3.1 inches
Height	23.8 inches



· Basic Product Information



Product Model	LI002141-02B
Product Type	Bollard Lights
Power Type	Solar Powered
Product Color	White

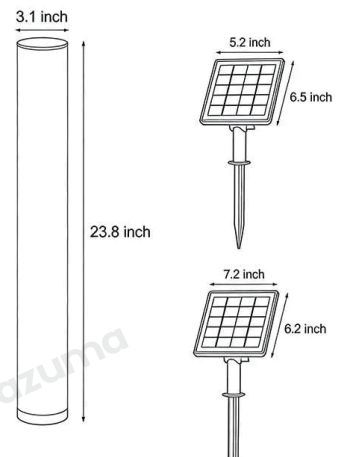


· Product Details

Material	PC, ABS
----------	---------

· Core Specifications

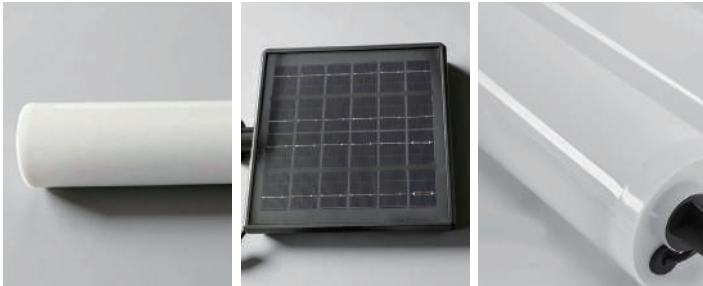
Width	3.1 inches
Depth	3.1 inches
Height	23.8 inches



· Basic Product Information



Product Model	LI002141-03B
Product Type	Bollard Lights
Power Type	Solar Powered
Product Color	White

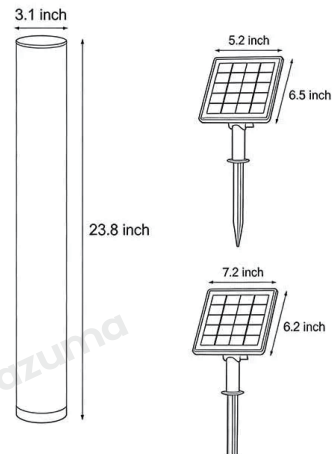


· Product Details

Material	PC, ABS
----------	---------

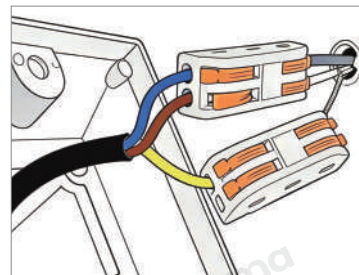
· Core Specifications

Width	3.1 inches
Depth	3.1 inches
Height	23.8 inches



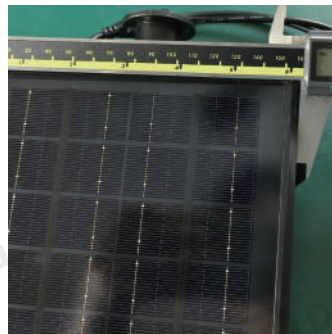
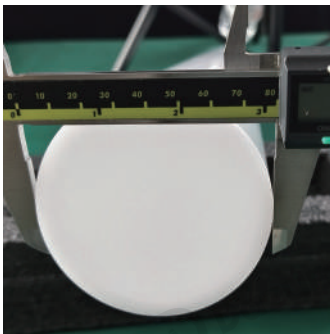


Voltage	AC110V
Light Source Type	LED Integrated
Light Source Included	Yes
Color Temperature	3000k/6000k
Dimmable	No
CRI	90
IP Rating	IP54
Hardwired	



Blue: Neutral wire
 Brown: Live wire
 Yellow: Ground wire

· Core Performance Indicators



Installation Method

Ground Spike-Equipped with a ground spike at the bottom, directly inserted into lawn, soil or garden ground for fixation, usable after wiring.

Application Scenarios

Garden,Lawn,Yard

Certifications

CE, ROHS, WEEE, CEC, DLC, IES

Color Temperature Adjustment

Warm White (3000K)

Product Accessories

Lamp body ×2, Solar panel ×1, Ground stake ×3, Connecting rod ×1, Screw pack ×3



www.dazuma.us

+1 978-678-4855 (US Support)

hello@dazuma.us

Customer Service: Mon-Fri, 9am-6pm EST.

Online Service Team: 120 East Hollis Street, Nashua, NH 03060