



Product Name	Outdoor rattan lanterns
Style	Modern
Specification	11"x16.5" / 11.8"x18.9"



This outdoor rattan lamp features a hand-woven design with rattan strips bonded to an iron frame. It is equipped with an acrylic lampshade and a 4W LED light source.

Powered by solar energy, it provides up to 24 hours of lighting after 8 hours of sun exposure, with a 5000mAh high-capacity battery.

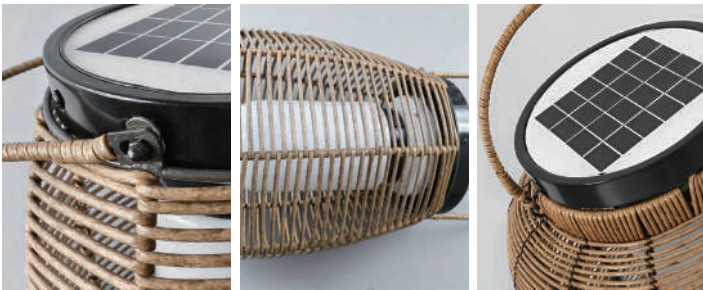
It has an IP54 protection rating, making it ideal for gardens, lawns, courtyard paths, patio corners or campsites.



· Basic Product Information



Product Model	LI002350-02B
Product Type	Portable Lanterns
Power Type	Solar Powered
Product Color	Brown

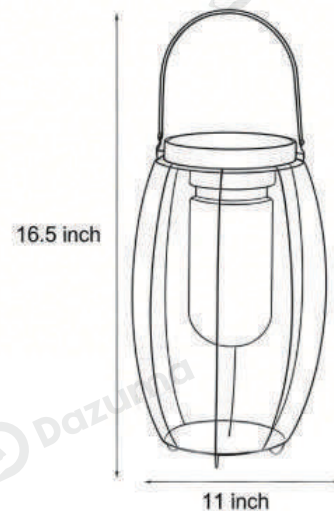


· Product Details

Material	Glue Rattan, Iron
----------	-------------------

· Core Specifications

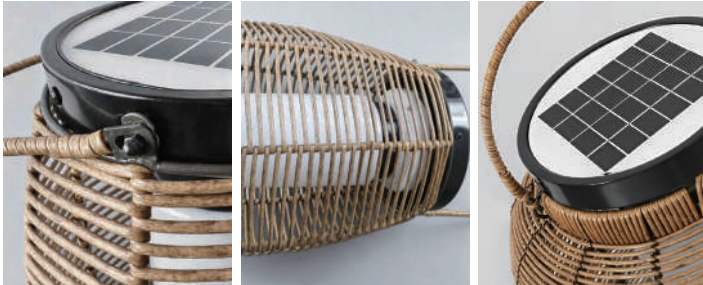
Width	11 inches
Depth	16.5 inches
Height	11 inches



· Basic Product Information



Product Model	LI002350-01B
Product Type	Portable Lanterns
Power Type	Solar Powered
Product Color	Brown



· Product Details

Material	Glue Rattan, Iron
----------	-------------------

· Core Specifications

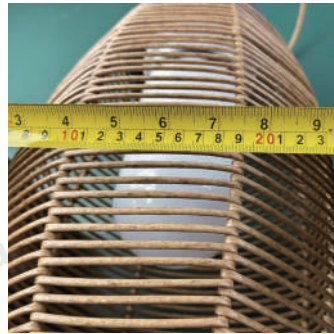
Width	11.8 inches
Depth	18.9 inches
Height	11.8 inches





Light Source Type	LED E27 Bulb
Light Source Included	Yes
Color Temperature	3000K
Dimmable	No
IP Rating	IP54

· Core Performance Indicators



Installation Method	Hanging & Standing-With top hook for hanging, stable base for standing
Application Scenarios	Garden,Outdoor
Certifications	CE, ROHS, WEEE, CEC, DLC, IES
Color Temperature Adjustment	Warm Light (3000K)
Product Accessories	Lamp body ×1, remote control ×1, batteries ×2, manual ×1



www.dazuma.us

+1 978-678-4855 (US Support)

hello@dazuma.us

Customer Service: Mon-Fri, 9am-6pm EST.

Online Service Team: 120 East Hollis Street, Nashua, NH 03060