



Product Name Adjustable Pendant Light Fixtures

Style Modern

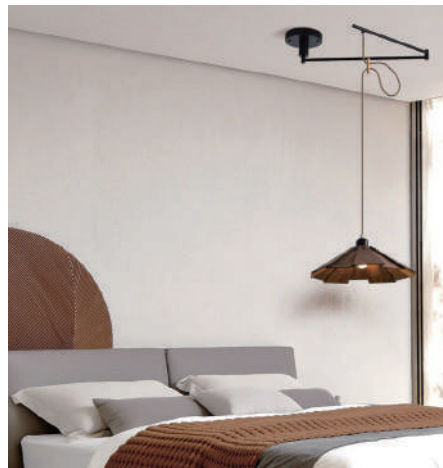
Specification Umbrella / Lantern



This adjustable pendant light has an umbrella/lantern design, made of rubberwood, wrought iron and linden wood in walnut and natural wood.

It features 2 rotatable arms and a 1m adjustable cord. Compatible with E27 LED, it supports 3-color temperatures (3000K/4500K/6000K).

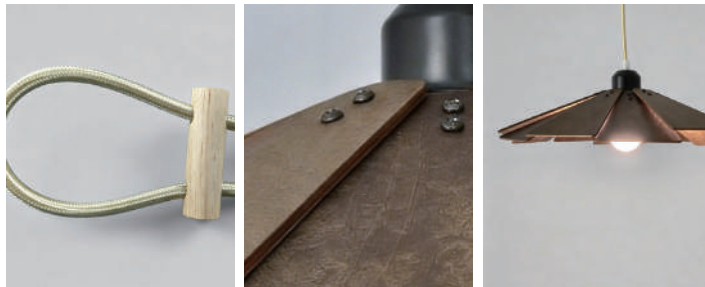
Simple Japanese style, perfect for dining, tea, living rooms and studies, bringing warm natural comfort.



· Basic Product Information



Product Model	LI002610-01B/02B
Product Type	Medium & Large Pendants
Power Type	Hardwired
Product Color	Walnut

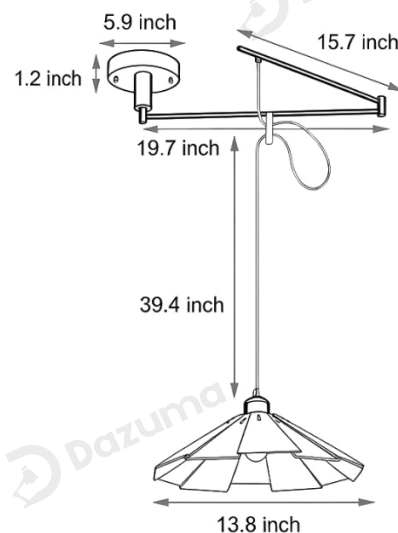


· Product Details

Material	Rubberwood, Iron, Basswood
----------	----------------------------

· Core Specifications

Width	13.8 inches
Depth	13.8 inches
Height	39.4 inches



· Basic Product Information



Product Model	LI002610-03B/04B
Product Type	Medium & Large Pendants
Power Type	Hardwired
Product Color	Wood

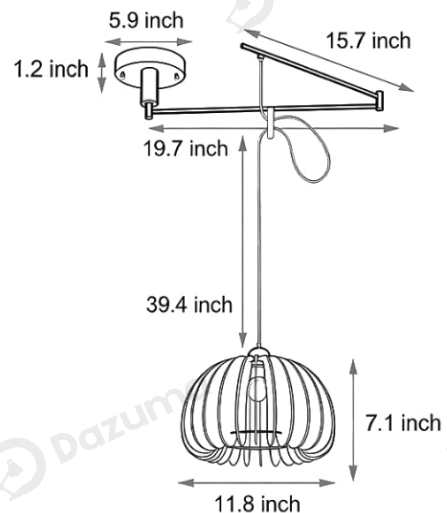


· Product Details

Material	Rubberwood, Iron, Basswood
----------	----------------------------

· Core Specifications

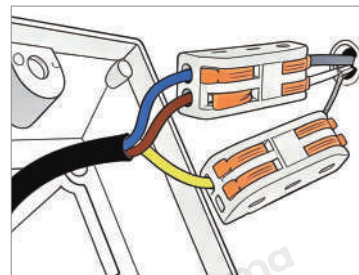
Width	11.8 inches
Depth	11.8 inches
Height	39.4 inches





Voltage	AC110V
Light Source Type	LED E27 Bulb
Light Source Included	Yes
Color Temperature	3000- 6000K
Dimmable	Yes

Hardwired



Blue: Neutral wire
 Brown: Live wire
 Yellow: Ground wire

· Core Performance Indicators



Installation Method

Pendant Mounted-Install with rod, cord or chain suspended from ceiling.

Application Scenarios

Dining Room, Indoor

Certifications

CE, ROHS, WEEE, CEC, DLC, IES

Color Temperature Adjustment

3-Color Temperature (3000K/4500K/6000K)

Product Accessories

Lamp body ×1, base box ×1, bulb ×1, lampshade frames ×2, lampshade panels ×12, hex wrench ×1, installation manual ×1, screw packs ×2



www.dazuma.us

+1 978-678-4855 (US Support)

hello@dazuma.us

Customer Service: Mon-Fri, 9am-6pm EST.

Online Service Team: 120 East Hollis Street, Nashua, NH 03060